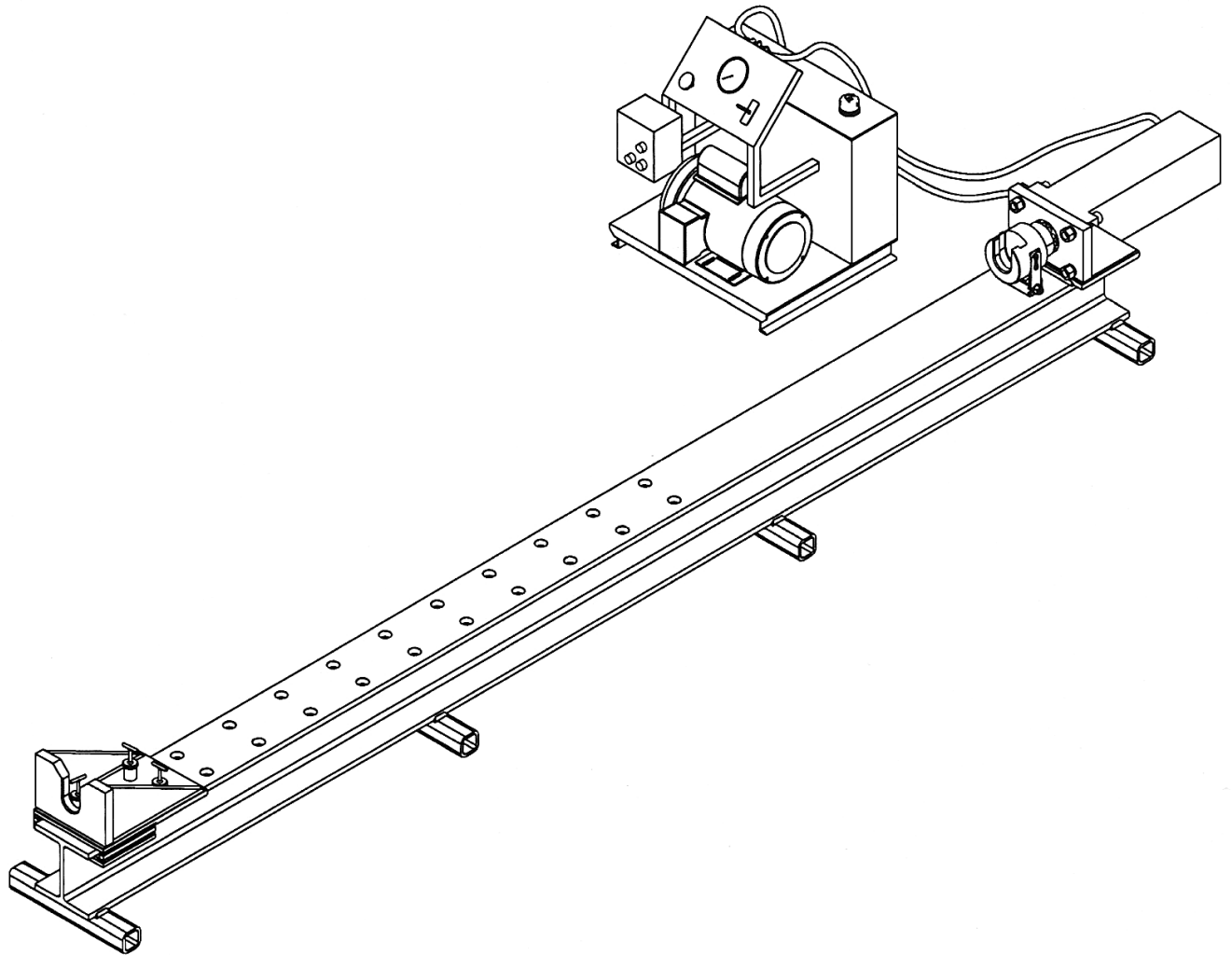


Logan Jar Tester



Overview

The Logan Jar Tester is a versatile machine for setting, checking, or testing pull loads of a variety of tools with outer diameters up to 11 inches. The Jar Tester is capable of exerting tension or compression loads in a controlled manner. The Logan Jar Tester provides an effective and accurate means for shop testing hydraulic jars; setting and checking pull loads of mechanical rotary jars, safety joints, bumper subs, and other similar tools; and testing formation tools. It is especially useful when many such tools must be maintained on a recurring basis.

Construction

The Logan Jar Tester is composed of two basic components: a frame and a prime mover. A pull plate and crosshead cradle the tool to be tested. The crosshead is attached to a hydraulic cylinder that supplies the tensile or compressive load. The prime mover, which is also referred to as the power-pak, is an electric, motor-driven hydraulic power supply. It is composed of a hydraulic pump, an electric motor, a hydraulic reservoir, a start/stop switch, a pressure gauge, a filter, and appropriate valve fittings to properly operate and maintain the system.

All components of the Logan Jar Tester are manufactured from high-grade materials. All main load bearing members are made from selected heat-treated alloy steel for maximum strength and durability.

All Logan Jar Testers are completely assembled and tested before shipment. The unit requires very little maintenance. However, usual wear parts must occasionally be replaced.

When ordering, please specify:

- (1) Complete Assembly part number:
900-003
- (2) Test Subs, size and type connection



Logan Jar Tester

Logan Part Number: 900-003

PULL LOAD EQUIVALENTS — PRESSURE (PSI) TO LBS

PSI	LBS	PSI	LBS	PSI	LBS	PSI	LBS
50	2,032	1,300	52,837	2,575	104,659	3,800	154,448
75	3,048	1,325	53,853	2,600	105,675	3,825	155,464
100	4,064	1,350	54,869	2,625	106,691	3,850	156,480
125	5,080	1,375	55,885	2,650	107,707	3,875	157,496
150	6,096	1,400	56,902	2,675	108,723	3,900	158,512
175	7,112	1,425	57,918	2,700	109,739	3,925	159,529
200	8,128	1,450	58,934	2,725	110,755	3,950	160,545
225	9,144	1,475	59,950	2,750	111,771	3,975	161,561
250	10,161	1,500	60,966	2,775	112,788	4,000	162,577
275	11,177	1,525	61,982	2,800	113,804	4,025	163,593
300	12,193	1,550	62,998	2,825	114,820	4,050	164,609
325	13,209	1,575	64,014	2,850	115,836	4,075	165,625
350	14,225	1,600	65,030	2,875	116,852	4,100	166,641
375	15,241	1,625	66,047	2,900	117,868	4,125	167,657
400	16,257	1,675	68,079	2,925	118,884	4,150	168,674
425	17,273	1,700	69,095	2,950	119,900	4,175	169,690
450	18,289	1,725	70,111	2,975	120,916	4,200	170,706
475	19,306	1,750	71,127	3,000	121,933	4,225	171,722
500	20,322	1,775	72,143	3,025	122,949	4,250	172,738
525	21,338	1,800	73,159	3,050	123,965	4,275	173,754
550	22,354	1,825	74,175	3,075	124,981	4,300	174,770
575	23,370	1,850	75,192	3,100	125,997	4,325	175,786
600	24,386	1,875	76,208	3,125	127,013	4,350	176,802
625	25,402	1,900	77,224	3,150	128,029	4,375	177,819
650	26,418	1,925	78,240	3,175	129,045	4,400	178,835
675	27,434	1,950	79,256	3,200	130,061	4,425	179,851
700	28,451	1,975	80,272	3,225	131,078	4,450	180,867
725	29,467	2,000	81,288	3,250	132,094	4,475	181,883
750	30,483	2,025	82,304	3,275	133,110	4,500	182,899
775	31,499	2,050	83,320	3,300	134,126	4,525	183,915
800	32,515	2,075	84,337	3,325	135,142	4,550	184,931
825	33,531	2,100	85,353	3,350	136,158	4,575	185,947
850	34,547	2,125	86,369	3,375	137,174	4,600	186,964
875	35,563	2,150	87,385	3,400	138,190	4,625	187,980
900	36,579	2,175	88,401	3,425	139,206	4,650	188,996
925	37,596	2,200	89,417	3,450	140,223	4,675	190,012
950	38,612	2,225	90,433	3,475	141,239	4,700	191,028
975	39,628	2,250	91,449	3,500	142,255	4,725	192,044
1,000	40,644	2,275	92,465	3,525	143,271	4,750	193,060
1,025	41,660	2,300	93,482	3,550	144,287	4,775	194,076
1,050	42,676	2,325	94,498	3,575	145,303	4,800	195,092
1,075	43,692	2,350	95,514	3,600	146,319	4,825	196,109
1,100	44,708	2,375	96,530	3,625	147,335	4,850	197,125
1,125	45,724	2,400	97,546	3,650	148,351	4,875	198,141
1,150	46,741	2,425	98,562	3,675	149,368	4,900	199,157
1,175	47,757	2,450	99,578	3,700	150,384	4,925	200,173
1,200	48,773	2,475	100,594	3,725	151,400	4,950	201,189
1,225	49,789	2,500	101,610	3,750	152,416	4,975	202,205
1,250	50,805	2,525	102,626	3,775	153,432	5,000	203,221
1,275	51,821	2,550	103,643				