



Standard Releasing Spear



Contents

Standard Releasing Spear

- Overview 2
- Use 2
- Construction 2
- Illustrations
 - Spear Assembly with Flush-Type Mandrel 3
 - Spear Assembly with Shoulder-Type Mandrel 3
 - Optional Nuts 3
- Operation 2
 - Precautions 2
 - Internal Cutting 4
 - Engaging a Fish 4
 - Releasing a Fish 4
- Assembly 4
 - Assembly of Releasing Spear 4
 - Assembly of Spear Pack-off 4
- Maintenance 4
 - Disassembly of Releasing Spear 5
 - Disassembly of Spear Pack-off 5
- Principal Dimensions 6 – 7
- Complete Assemblies and Parts Lists 8 – 11
- Releasing Spear Grapple Range Charts 14 – 22
- Calculated Strengths 23 – 27

Segmented Spear Grapple Assembly

- Illustration 12
- Complete Assemblies and Parts Lists 12 – 13

Releasing Spear Pack-off Assembly

- Assembly 4
- Maintenance 4
 - Disassembly 5
- Illustration 5
- Replacement Packing Cups and Thimbles 28 – 31

Releasing Spear Stop Sub Assembly

- Illustration 32
- Complete Assemblies and Parts Lists 32



Standard Releasing Spear

OVERVIEW

Logan Standard Releasing Spears provide a positive means to internally engage and retrieve a fish from the well. The design of this rugged, dependable, and inexpensive internal catch fishing tool ensures positive engagement, easy release, and re-engagement.

USE

The Logan Standard Releasing Spear can engage and retrieve tubing, casing, and drill pipe of all sizes. It may be used with other equipment such as spear pack-off assemblies and internal cutters.

CONSTRUCTION

The Logan Standard Releasing Spear consists of a mandrel, grapple, releasing ring, and a bullnose nut. The size and type of the upper box connection is furnished according to customer specification.

Mandrel

The mandrel type may be specified as either flush or shoulder. Flush-type mandrels are designed to completely enter the fish. Shoulder-type mandrels provide a positive landing position on top of the fish. The mandrel is made of high strength, specially heat-treated alloy steel. The lower end is threaded to accept a bullnose nut, or the optional sub, mill, and sidehill type nuts.

Standard Spear Grapple

One-piece spear grapples are designed and manufactured to engage a specific size and weight of tubing, casing, or drill pipe to ensure maximum surface engagement and minimum fish distortion.

Segment-Type Spear Grapple

The segment-type spear grapple enhances the spear's usefulness by providing an extended catching range beyond the maximum range of the

standard one-piece grapple. The Logan Segment-Type Spear Grapple consists of a grapple body, eight grapple segments, two retainer rings, four retainer ring screws, six retainer ring spacers, and sixteen grapple segment screws. *Refer to the illustration on page 12.*

Release Ring

The cammed release ring matches the cammed nut ensuring a positive locking device that will not freeze or jam. It is a standard component of the releasing spear.

Nut

The standard bottom nut is a bullnose nut. Optional nut types — sub, mill, and sidehill — are available. *Refer to the illustrations on page 3.*

When other tools, such as a spear pack-off assembly or internal cutters, will be utilized below the releasing spear, the sub type nut replaces the standard bullnose nut to provide the required connection.

The mill type nut mills away jagged ends of a fish to ensure entry into the fish. It can also effectively drill out sand from a plugged fish.

A sidehill type nut is used to align the Releasing Spear with a fish that is imbedded in the side wall of the hole.

Heavy Duty Releasing Spears

Logan Heavy Duty Releasing Spears (assemblies designated as "HD" in the parts lists) are used in situations where a swelling of the fish presents a problem. These assemblies have relatively longer mandrels and grapples than standard (STD) spears resulting in more supported wickered area to engage the fish. The longer mandrel and grapple distribute the swelling forces over a greater area, thereby substantially reducing those forces.

Heavy Duty Releasing Spears are less prone to damage from swelling of the fish and are actually stronger than a Standard Releasing Spear even though the tensile strength of the mandrels are the same.

Stop Sub Assembly

The Logan Releasing Spear Stop Sub Assembly is an accessory designed to convert a releasing spear with a flush-type mandrel into a shouldered type spear. It is installed in the box connection at the top of the mandrel when the use of a positive stop is desired or required.

A stop ring can be added to increase shoulder diameter. All stop rings are furnished with left-hand threads. *See page 32 for more information.*

Spear Pack-off Assembly

Pack-off assemblies are available for all Logan Standard Releasing Spear Assemblies and are designed to efficiently pack off all sizes of drill pipe, tubing and casing. Circulation through the fish is enabled by attaching the Spear Pack-off Assembly to the bottom of the spear with a sub type nut. *See pages 28 – 31 for more information.*

OPERATION

Precautions

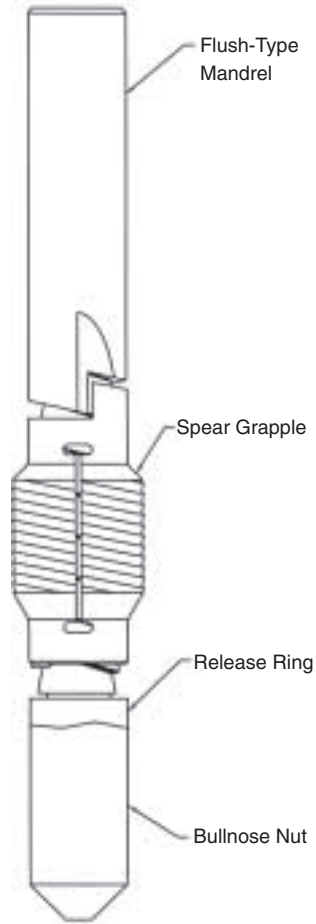
Always maintain a moderate upward strain on the fishing string when rotating either to the left or right during operation.

It may be necessary to rotate the fishing string more than a full turn to set or release the Releasing Spear in deep or crooked holes. Additional moderate rotation does not harm the Releasing Spear or the operation.

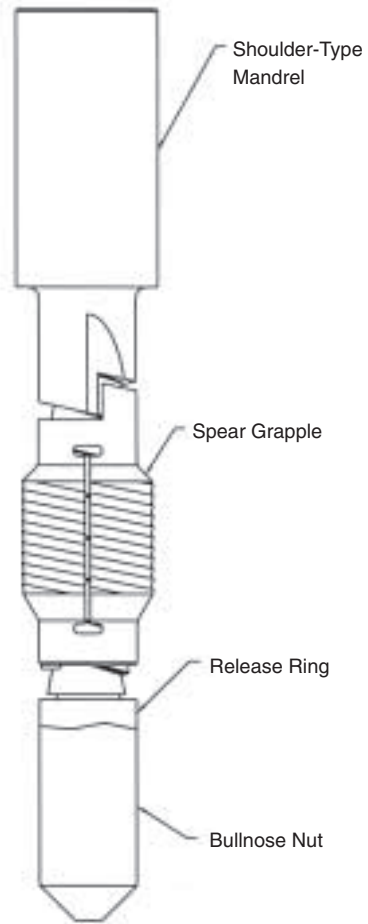
Always bump down the full weight of the fishing string before beginning the releasing operation.



Standard Releasing Spear

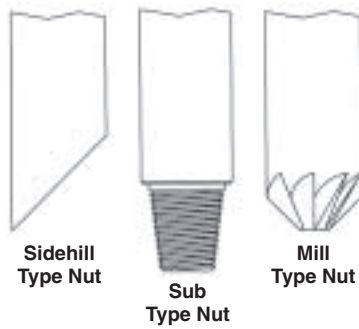


**Spear Assembly
with Flush Type Mandrel**



**Spear Assembly
with Shoulder Type Mandrel**

Optional Nuts





Standard Releasing Spear

Internal Cutting

When running an internal cutter below the releasing Spear, replace the bull-nose nut with a sub type nut. Pipe between the internal cutter and Releasing Spear enables the Spear to remain above the fish during the cutting operation. The Spear is lowered into the cut-off section to retrieve it after the cut has been completed.

Engaging a Fish

The Logan Releasing Spear is made up to the bottom of the fishing string and lowered to the desired depth into the fish. Rotate the mandrel one full rotation to the left to turn the mandrel through the spear grapple and move the spear grapple into engaging position. Pulling straight up will cause the tapers on the mandrel to expand the spear grapple and allow it to positively engage the fish.

Releasing a Fish

To release the fish, bump down and make two to three rotations to the right. This right-hand rotation allows the mandrel to move up through the spear grapple thereby placing the spear grapple against the release ring and putting the spear in release position. A straight upward pull will release the spear from the fish. Continue with slow, right-hand rotation until the Releasing Spear is clear of the fish.

ASSEMBLY

Assembly of Releasing Spear

The Logan Standard Releasing Spear can easily be assembled at the rig site where it will be used.

Check all parts to ensure that they are in good working condition before beginning assembly. Make sure the Releasing Spear is the proper size for the operation. *Refer to the Releasing Spear Grapple Range Charts on pages 14 – 22.*

Thoroughly clean and lubricate parts. If the tool will be stored for a long period, paint or lubricate the exterior surfaces to prevent corrosion.

Referring to the illustration on page 3, proceed with assembly as follows:

1. Clamp the Releasing Spear horizontally into a suitable vise, securing the upper mandrel joint end.

CAUTION: Use only enough gripping action in the vise to break the connections. Avoid making heavy tool marks.

2. Heavily grease the helix of the mandrel.
3. Install the spear grapple on the lower pin end of the mandrel, screwing it on with left-hand (counterclockwise) rotation. Grease the interior of the grapple if it is large.
4. Slip the release ring onto the mandrel with the cams facing downward towards the nut.
5. Apply thread dope or lubricant to the threads on the lower end of the mandrel. Install the nut and tighten.
6. Screw the grapple down the helix until it rests against the release ring and nut. Hand tighten.
7. Paint or lubricate exterior surfaces to prevent corrosion.
8. Tighten all connections to the recommended torque before running the Standard Releasing Spear in the hole.

Assembly is now complete and the tool is ready for service.

Assembly of Spear Pack-off

Referring to illustration on page 5, proceed with assembly as follows:

1. Clamp the assembly horizontally into a suitable vise, securing the lower end of the pack-off mandrel.

CAUTION: Use only enough gripping action in the vise to break the connections. Avoid making heavy tool marks.

2. Slide the stabilizer onto the mandrel.
3. Slide the packing cup onto the mandrel with the large open end facing downward. Make sure it is seated properly on the mandrel shoulder.
4. Slide the thimble onto the mandrel and onto the packing cup. Force it down tightly around the upper end of the packing cup.
5. Apply thread dope or grease to the mandrel threads. Install the adapter sub onto the mandrel and tighten.
6. Paint or lubricate the exterior metal surfaces of the assembly.

NOTE: Do not paint or lubricate the packing cup. Paint, sunlight, solvents, and most lubricants are harmful to rubber products.

Assembly is now complete.

MAINTENANCE

Maintenance of the Standard Releasing Spear and Spear Pack-off Assembly is simple, but important.

After each use, the tools should be completely disassembled, thoroughly inspected, and repaired as required.

Before reassembling, inspect all parts, especially the grapple. Check the wickers for damage and wear to ensure safe operation. Clean and lubricate parts as they are reassembled. Grease or paint the exterior to prevent corrosion.

Examine the packing cup of the Releasing Spear Pack-off Assembly for wear or damage. Replace the packing cup if necessary. *(Refer to pages 28 – 31 for packing cup and thimble part numbers.)*



Standard Releasing Spear

NOTE: Do not paint or lubricate the packing cup. Paint, sunlight, solvents, and most lubricants are harmful to rubber products.

Disassembly of Releasing Spear

Referring to the illustration at right, proceed with disassembly as follows:

1. Clamp the Releasing Spear horizontally into a suitable vise, securing the upper mandrel joint end.

CAUTION: Use only enough gripping action in the vise to break the connections. Avoid making heavy tool marks.

2. Loosen and remove the nut or spear pack-off-assembly.
3. Slide the release ring from the mandrel.
4. Remove the spear grapple by screwing it down the helix with right-hand (clockwise) rotation.

Disassembly is now complete.

Disassembly of Spear Pack-off

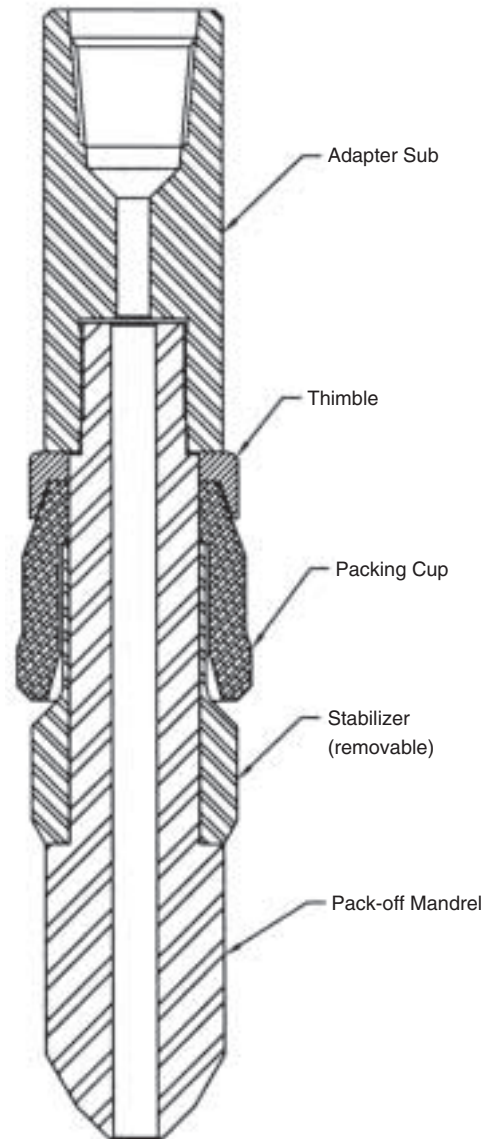
Referring to illustration at right, proceed with disassembly as follows:

1. Clamp the assembly horizontally into a suitable vise, securing the lower end of the pack-off mandrel.

CAUTION: Use only enough gripping action in the vise to break the connections. Avoid making heavy tool marks.

2. Loosen and remove the adapter sub.
3. Slide off the thimble.
4. Remove the packing cup.
5. Remove the stabilizer.

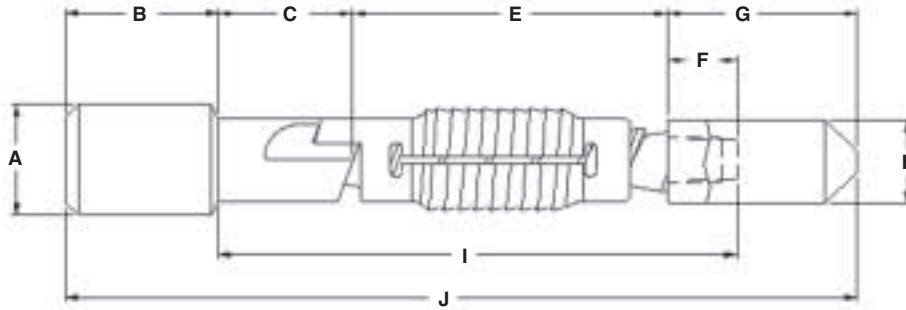
Disassembly is now complete.



Logan Releasing Spear Pack-off Assembly



Standard Releasing Spears Principal Dimensions



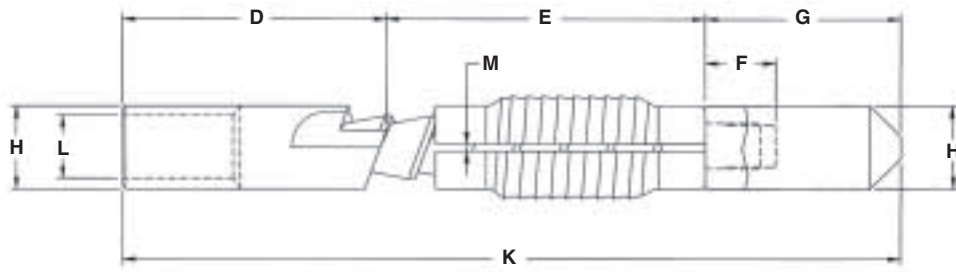
SHOULDER TYPE

SPEAR						SHOULDER TYPE ONLY	FLUSH TYPE ONLY	
MANDREL	SPEAR SIZE	CLASS	ID	A	B	C	D	E
F1000	1.050 OD Pipe	Standard	...	1-1/2	4-1/8	6	...	2-3/8
F1001	1.313 OD Pipe	Standard	...	1-5/8	3	3	...	3-5/16
F1002	1.660 OD Tubing	Standard	...	1-13/16	3	3	3-25/32	3-5/16
F1004	1.900 OD Tubing	Standard	...	2-1/2	5	3	7	5-1/16
F1005	2-3/8 OD Drill Pipe	Standard	...	3-1/8	7	3	7	5-29/32
F1007	2-3/8 OD Tubing	Standard	3/8	3-1/8	7	3	7	6-3/4
F1008	2-3/8 OD Tubing	Standard	3/8	3-1/8	7	3	7	9
F1009	2-7/8 OD Tubing	Standard	3/8	3-3/4	7	3	7-1/4	6-3/4
F1010	2-7/8 OD Tubing	Heavy Duty	3/8	3-3/4	7	3	7-1/4	9
F1012	3-1/2 OD Tubing	Standard	1/2	3-3/4	7	3-1/2	10-1/2	12
F1013	3-1/2 OD Drill Pipe	Heavy Duty	1/2	3-3/8	7	3-1/2	10-1/2	9-3/4
F1014	4 OD Tubing	Light Duty	3/4	3-3/4	7-1/2	3	10-3/8	8-1/8
F1015	4 OD Tubing	Standard	3/4	4-1/8	7-1/2	3	10-1/2	12
F1016	4-1/2 OD Tubing	Light Duty	3/4	4-1/2	8	3-1/2	3-3/4	9-3/4
F1017	4-1/2 OD Tubing	Standard	3/4	4-1/2	8	3-1/2	9-1/2	14-1/4
F1018	5 OD Casing	Light Duty	7/8	4-3/8	8	3-1/2	9-1/2	9-3/4
F1019	5 OD Casing	Standard	7/8	5	8	3-1/2	12	14-1/4
F1022	6 OD Casing	Light Duty	1	6	8	5-1/2	12	13
F1023	6 OD Casing	Standard	1	6	8	5-1/2	12	13
F1024	7 OD Casing	Standard	2	7	10	6-1/2	16-1/2	14-5/8
F1026	7 OD Casing	Heavy Duty	2	7	10	6-1/2	13-1/2	21-3/8
F1029	8-5/8 OD Casing	Standard	2-3/4	8-5/8	14	7	20-7/8	14-5/8
F1030	8-5/8 OD Casing	Heavy Duty	2-3/4	8-5/8	20-7/8	21-3/8
F1032	9-5/8 OD Casing	Standard	2-13/16	9-5/8	15-3/8	7	20-7/8	14-5/8
F1034	9-5/8 OD Casing	Standard	2-13/16	9-5/8	20-7/8	21-3/8
F1035	13-3/8 OD Casing	Standard	3-1/2	13-3/8	17-7/8	7	22-3/8	16-7/8

Logan Oil Tools reserves the right to change or discontinue designs without notice.

Notes:

- 1) For Flush or Shoulder type, specify O.D. of shoulder, "A"
- 2) Mandrel length desired, "C"



FLUSH TYPE

SPEAR						SHOULDER TYPE ONLY	FLUSH TYPE ONLY	
MANDREL	F	G	H	I	J	K	L	M
F1000	7/8	2-3/8	11/16	9-5/8	15-1/4	3/16
F1001	1-3/8	2-1/2	15/16	7-11/16	11-13/16	1/4
F1002	1-3/8	2-1/2	1-1/8	7-11/16	11-13/16	3/8
F1004	2-1/4	5-5/8	1-3/8	10-5/16	18-11/16	7/16
F1005	2-1/4	6-17/32	1-11/16	19-7/16	...	5/8
F1007	2-1/4	6-5/8	1-7/8	12	23-3/8	23-3/8	...	5/8
F1008	2-1/4	6-5/8	1-7/8	14-1/4	25-5/8	22-5/8	...	5/8
F1009	2-1/2	7	2-5/16	12-1/4	23-3/4	21	...	5/8
F1010	2-1/2	7	2-5/16	14-1/2	26	23-1/4	...	5/8
F1012	3-1/2	9	2-13/16	19	31-1/2	32-1/2	...	5/8
F1013	3-5/8	8-1/8	2-1/2	16-5/8	31-1/8	5/8
F1014	2-1/2	8	3-1/4	13-5/8	26-5/8	26-1/2	...	5/8
F1015	3-1/2	9	3-1/4	18-1/2	31-1/2	31-1/2	...	5/8
F1016	3-1/2	10-3/4	3-5/8	16-3/4	32	32	...	1
F1017	3-1/2	10	3-5/8	21-1/4	35-3/4	33-3/4	...	3/4
F1018	3-1/2	10-5/8	4-1/32	16-3/4	31-7/8	29-7/8	...	13/16
F1019	3-1/2	10-5/8	4-1/32	21-1/4	36-3/8	36-7/8	...	13/16
F1022	3-1/2	12	5	16-3/8	39-3/16	37-11/16	3-5/16	1-1/4
F1023	3-1/2	12	5	16-3/8	...	43	3-5/16	1-1/4
F1024	3-1/2	12-3/4	5-11/16	40-1/4	3-1/2	1-5/8
F1026	3-1/2	12-3/4	5-11/16	31-3/8	53-3/8	47	3-1/2	1-5/8
F1029	4-1/2	13-3/4	7-1/4	26-1/8	53-7/8	49-1/4	5	1-5/8
F1030	4-1/2	13-3/4	7-1/4	56	5-3/4	1-5/8
F1032	3-1/2	14	8-1/4	25-1/8	51	49-1/4	6-1/4	1-5/8
F1034	3-1/2	13-3/4	8-1/4	56	6-1/4	1-5/8
F1035	3-1/2	12	11-3/4	27-3/8	53-3/4	51-1/4	7-3/4	1-5/8

Logan Oil Tools reserves the right to change or discontinue designs without notice.

Notes:

- 1) For Flush or Shoulder type, specify O.D. of shoulder, "A"
- 2) Mandrel length desired, "C"



Standard Releasing Spear

NOMINAL CATCH SIZE O.D.		1.050	1.313	1.660	1.900	2-3/8	2-3/8	2-3/8
SPEAR O.D.		11/16	7/8 NOM	1-1/8	1-3/8	1-11/16	1-7/8	1-7/8
SPEAR I.D.		3/8	3/8
DUTY CLASS		STD	STD	STD	STD	STD	STD	STD
COMPLETE ASSEMBLY	Logan Part No.	202-001	202-002	202-003	202-004	202-036	202-005	202-006
	Bowen No.	16455	19350	11195	9915	9645	1344	17228

REPLACEMENT PARTS

TOP SUB	Logan Part No.	F1000-A	F1001-A	F1002-A
	Bowen No.	16456A	19351A	11196A
MANDREL (FLUSH TYPE)	Logan Part No.	F1000	F1001	F1002	F1004	F1005	F1007	F1008
	Bowen No.	16456B	19351B	11196B	9916	9646	1345	17229
GRAPPLE*	Logan Part No.	F3000	F3001	F3002	F3004	F3005	F3007	F3008
	Bowen No.	16457	19352	11197	9917	9647	1348	17230
RELEASE RING	Logan Part No.	F4000	F4001	F4002	F4004	F4005	F4007	F4007
	Bowen No.	16458	19353	11198	9918	9649	1347	1347
BULL NOSE NUT	Logan Part No.	F5000	F5001	F5002	F5004	F5005	F5007	F5007
	Bowen No.	16459	19354	11199	9919	9648	1346	1346

OPTIONAL PARTS

MANDREL (SHOULDER TYPE)	Logan Part No.	F1000	F1001	F1002	F1004	F1005	F1007	F1008
	Bowen No.	16456	19351	11196	9916	9646	1345	17229
MANDREL EXTRA LENGTH PER INCH (C & D)								

ACCESSORIES

MILL TYPE NUT	Logan Part No.	F5000-A	F5001-A	F5002-A	F5004-A	F5005-A	F5007-A	F5007-A
	Bowen No.	16459-A	19354-A	11199-A	9919-A	9648-A	1346-A	1346-A
SUB TYPE NUT	Logan Part No.	F5000-B	F5001-B	F5002-B	F5004-B	F5005-B	F5007-B	F5007-B
	Bowen No.	16459-B	19354-B	11199-B	9919-B	9648-B	1346-B	1346-B
SIDE HILL NUT	Logan Part No.	F5000-C	F5001-C	F5002-C	F5004-C	F5005-C	F5007-C	F5007-C
	Bowen No.	16459-C	19354-C	11199-C	9919-C	9648-C	1346-C	1346-C

Logan Oil Tools reserves the right to change or discontinue designs without notice.

When ordering, please specify:

- (1) Name and part number of assembly or part
- (2) Size and type of top connection
- (3) Size and weight(s) of pipe to catch
- (4) Flush or Shoulder type (specify O.D. of shoulder, "A")
- (5) Mandrel length desired "C"
- (6) Thread size and type of nut, if wanted

Recommended Spare Parts:

- (1) 2 Grapples for each catch size



Standard Releasing Spear

NOMINAL CATCH SIZE O.D.		2-7/8	2-7/8	2-7/8	3-1/2	3-1/2	4	4
SPEAR O.D.		2-5/16	2-5/16	2-5/16	2-13/16	2-1/2	3-1/4	3-1/4
SPEAR I.D.		3/8	3/8	3/8	1/2	1/2	3/4	3/4
DUTY CLASS		STD	STD LH	HD	STD	HD	LD	STD
COMPLETE ASSEMBLY	Logan Part No.	202-007	202-022	202-008	202-009	202-010	202-024	202-011
	Bowen No.	1227	62198	17231	9410	9945	530	9485

REPLACEMENT PARTS

TOP SUB	Logan Part No.
	Bowen No.
MANDREL (FLUSH TYPE)	Logan Part No.	F1009	F10095	F1010	F1012	F1013	F1014	F1015
	Bowen No.	1231	62199	17232	9411	9946	531	9486
GRAPPLE *	Logan Part No.	F3009	F30095	F3010	F3012	F3013	F3014	F3015
	Bowen No.	1230	49888	17233	9412	9947	532	9487
RELEASE RING	Logan Part No.	F4009	F4009	F4009	F4012	F4013	F4015	F4015
	Bowen No.	1229	1229	1229	1584	9948	534	534
BULL NOSE NUT	Logan Part No.	F5009	F50095	F5009	F5012	F5013	F5014	F5015
	Bowen No.	1228	62200	1228	9413	9949	533	9488

OPTIONAL

MANDREL (SHOULDER TYPE)	Logan Part No.	F1009	F10095	F1010	F1012	F1013	F1014	F1015
	Bowen No.	1231	62199	17232	9411	9946	531	9486
MANDREL EXTRA LENGTH PER INCH (C & D)								

ACCESSORIES

MILL TYPE NUT	Logan Part No.	F5009-A	F50095-A	F5010-A	F5012-A	F5013-A	F5014-A	F5015-A
	Bowen No.	1228-A	...	1228-A	9413-A	...	533-A	9488-A
SUB TYPE NUT	Logan Part No.	F5009-B	F50095-B	F5009-B	F5012-B	F5013-B	F5014-B	F5015-B
	Bowen No.	1228-B	...	1228-B	9413-B	...	533-B	9488-B
SIDE HILL NUT	Logan Part No.	F5009-C	F50095-C	F5009-C	F5012-C	F5013-C	F5014-C	F5015-A
	Bowen No.	1228-C	...	1228-C	9413-C	...	533-C	9488-C

Logan Oil Tools reserves the right to change or discontinue designs without notice.

When ordering, please specify:

- (1) Name and part number of assembly or part
- (2) Size and type of top connection
- (3) Size and weight(s) of pipe to catch
- (4) Flush or Shoulder type (specify O.D. of shoulder, "A")
- (5) Mandrel length desired "C"
- (6) Thread size and type of nut, if wanted

Recommended Spare Parts:

- (1) 2 Grapples for each catch size



Standard Releasing Spear

NOMINAL CATCH SIZE O.D.		4-1/2	4-1/2	5	5	6	6	7
SPEAR O.D.		3-5/8	3-5/8	4-1/32	4-1/32	5	5	5-3/4
SPEAR I.D.		3/4	3/4	7/8	1	1	1	2
DUTY CLASS		LD	STD	LD	STD	LD	STD	STD
COMPLETE ASSEMBLY	Logan Part No.	202-017	202-012	202-035	202-013	202-023	202-014	202-015
	Bowen No.	13200	17475	1332	9680	9715	17234	9266

REPLACEMENT PARTS

TOP SUB	Logan Part No.
	Bowen No.
MANDREL (FLUSH TYPE)	Logan Part No.	F1016	F1017	F1018	F1019	F1022	F1023	F1024
	Bowen No.	13201	17476	1333	9681	9716	17235	9267
GRAPPLE *	Logan Part No.	F3016	F3017	F3018	F3019	F3022	F3023	F3024
	Bowen No.	13202	17477	1334	9682	9717	17236	9268
RELEASE RING	Logan Part No.	F4017	F4017	F4019	F4019	F4023	F4023	F4024
	Bowen No.	13183	13183	1336	1336	9718	9718	9279
BULL NOSE NUT	Logan Part No.	F5017	F5017	F5019	F5019	F5023	F5023	F5024
	Bowen No.	13184	13184	1335	1335	9719	9719	9269

OPTIONAL PARTS

MANDREL (SHOULDER TYPE)	Logan Part No.	F1016	F1017	F1018	F1019	F1022	F1023	F1024
	Bowen No.	13201	17476	1333	9681	9716	17235	9267
MANDREL EXTRA LENGTH PER INCH (C & D)	Logan Part No.
	Bowen No.

ACCESSORIES

MILL TYPE NUT	Logan Part No.	F5017-A	F5017-A	F5019-A	F5019-A	F5023-A	F5023-A	F5024-A
	Bowen No.	13184-A	13184-A	1335-A	1335-A	9719-A	9719-A	9269-A
SUB TYPE NUT	Logan Part No.	F5017-B	F5017-B	F5019-B	F5019-B	F5023-B	F5023-B	F5024-B
	Bowen No.	13184-B	13184-B	1335-B	1335-B	9719-B	9719-B	9269-B
SIDE HILL NUT	Logan Part No.	F5017-C	F5017-C	F5019-C	F5019-C	F5023-C	F5023-C	F5024-C
	Bowen No.	13184-C	13184-C	1335-C	1335-C	9719-C	9719-C	9269-C

Logan Oil Tools reserves the right to change or discontinue designs without notice.

When ordering, please specify:

- (1) Name and part number of assembly or part
- (2) Size and type of top connection
- (3) Size and weight(s) of pipe to catch
- (4) Flush or Shoulder type (specify O.D. of shoulder, "A")
- (5) Mandrel length desired "C"
- (6) Thread size and type of nut, if wanted

Recommended Spare Parts:

- (1) 2 Grapples for each catch size



Standard Releasing Spear

NOMINAL CATCH SIZE O.D.		7	8-5/8	8-5/8	9-5/8	9-5/8	13-3/8	
SPEAR O.D.		5-3/4	7-1/4	7-1/4	8-1/4	8-1/4	11-3/4	
SPEAR I.D.		2	2-3/4	2-3/4	2-13/16	2-13/16	3-1/2	
DUTY CLASS		HD	STD	HD	STD	HD	STD	
COMPLETE ASSEMBLY	Logan Part No.	202-016	202-025	202-018	202-019	202-020	202-021	
	Bowen No.	17237	9380	17243	9281	17246	27780	

REPLACEMENT PARTS

TOP SUB	Logan Part No.	
	Bowen No.	
MANDREL (FLUSH TYPE)	Logan Part No.	F1026	F1029	F1030	F1032	F1034	F1035	
	Bowen No.	17238	9381	17244	9282	17247	27781	
GRAPPLE *	Logan Part No.	F3026	F3029	F3030	F3032	F3034	F3035	
	Bowen No.	17239	9382	17245	9283	17248	27782	
RELEASE RING	Logan Part No.	F4024	F4029	F4029	F4032	F4032	F4033	
	Bowen No.	9279	9383	9383	9286	9286	27783	
BULL NOSE NUT	Logan Part No.	F5024	F5029	F5029	F5032	F5032	F5033	
	Bowen No.	9269	9384	9384	9284	9284	27784	

OPTIONAL PARTS

MANDREL (SHOULDER TYPE)	Logan Part No.	F1026	F1029	F1030	F1032	F1034	F1035	
	Bowen No.	17238	9381	17244	9282	17247	27781	
MANDREL EXTRA LENGTH PER INCH (C & D)								

ACCESSORIES

MILL TYPE NUT	Logan Part No.	F5024-A	F5029-A	F5029-A	F5032-A	F5032-A	F5035-A	
	Bowen No.	9269-A	9384-A	9384-A	9284-A	9284-A	27784-A	
SUB TYPE NUT	Logan Part No.	F5024-B	F5029-B	F5029-B	F5032-B	F5032-B	F5035-B	
	Bowen No.	9269-B	9384-B	9384-B	9284-B	9284-B	27784-B	
SIDE HILL NUT	Logan Part No.	F5024-C	F5029-C	F5029-C	F5032-C	F5032-C	F5035-C	
	Bowen No.	9269-C	9384-C	9384-C	9284-C	9284-C	27784-C	

Logan Oil Tools reserves the right to change or discontinue designs without notice.

When ordering, please specify:

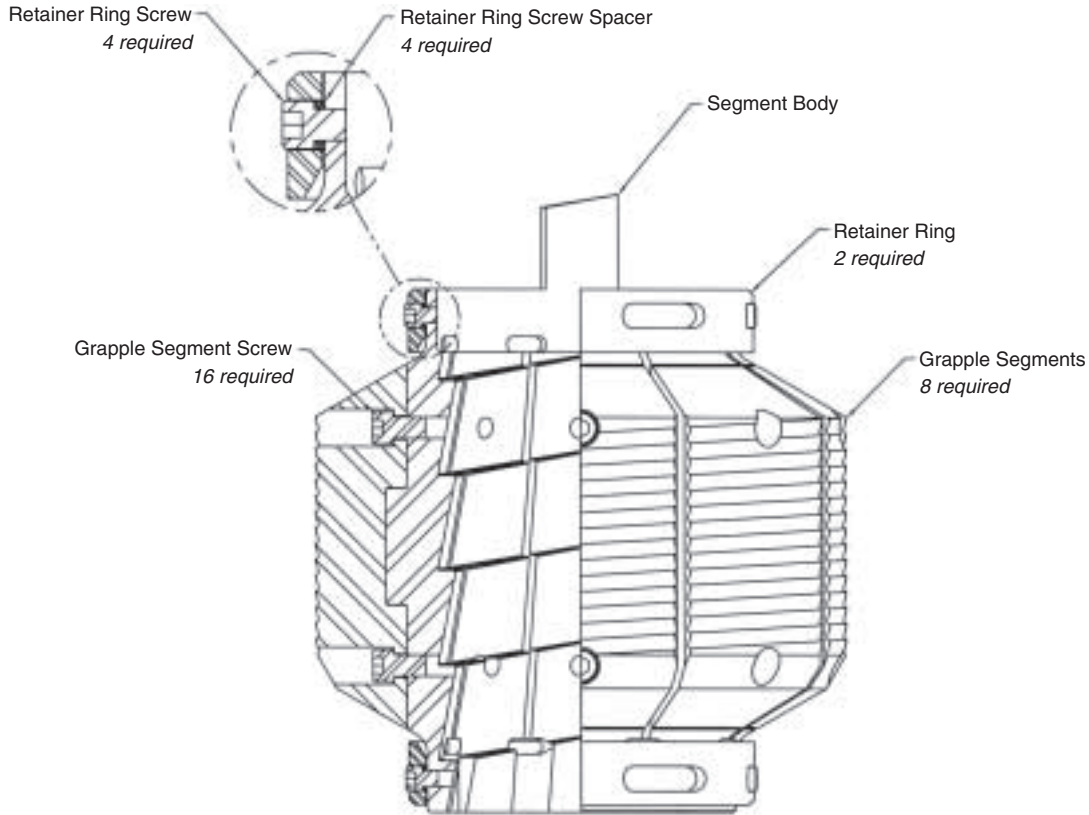
- (1) Name and part number of assembly or part
- (2) Size and type of top connection
- (3) Size and weight(s) of pipe to catch
- (4) Flush or Shoulder type (specify O.D. of shoulder, "A")
- (5) Mandrel length desired "C"
- (6) Thread size and type of nut, if wanted

Recommended Spare Parts:

- (1) 2 Grapples for each catch size



Segmented Spear Grapple Assembly



ASSEMBLES TO SPEAR		Logan Part No. 202-025				Logan Part No. 202-018			
Bowen No.		9380				17243			
CATCH SIZE (PIPE SIZE)		10-3/4	11-3/4	12-3/4	13-3/8	10-3/4	11-3/4	12-3/4	13-3/8
PIPE WEIGHT		32.75	38.00	45.45	48.00	32.75	38.00	45.45	48.60
		48.00	54.00	66.72	68.00	48.00	54.00	66.72	68.00
		40.00	47.00	...	61.00	40.00	47.00	...	61.00
		55.50	60.00	...	85.00	55.50	60.00	...	85.00
COMPLETE ASSEMBLY	Logan Part No.	205-000				205-001			
	Bowen No.	9382				17245			
GRAPPLE BODY	Logan Part No.	F3029-A				F3030-A			
	Bowen No.	9382-A				17245-A			
GRAPPLE SEGMENT	Logan Part No.	F3029-B				F3030-B			
<i>(8 per 1 set)</i>	Bowen No.	9382-B				17245-B			
SEGMENT SCREW	Logan Part No.	T3000				T3000			
	Bowen No.	12198				12198			
	No. Req'd	16				16			
RETAINER RING	Logan Part No.	T4000				T4000			
	Bowen No.	56855				56855			
	No. Req'd	2				2			
RETAINER RING SCREW	Logan Part No.	T5000				T5000			
	Bowen No.	23535				23535			
	No. Req'd	4				4			
RETAINER RING SCREW SPACER	Logan Part No.	T6000				T6000			
	Bowen No.	56979				56979			
	No. Req'd	4				4			



Segmented Spear Grapple Assembly

ASSEMBLES TO SPEAR		Logan Part No. 202-019					202-020				
	Bowen No.										
CATCH SIZE (PIPE SIZE)		13-3/8	14	16	18-5/8	20	13-3/8	14	16	18-5/8	20
PIPE WEIGHT		48.00	42.00	55.00	90.00	90.00	48.00	42.00	55.00	...	90.00
		68.00	57.00	65.00	106.50	94.00	68.00	57.00	65.00	...	94.00
		61.00	...	84.00	...	106.00	61.00	...	84.00	...	133.00
		85.00	...	109.00	...	133.00	85.00
COMPLETE ASSEMBLY		Logan Part No. 205-002					205-003				
	Bowen No.	9283					17248				
GRAPPLE BODY	Logan Part No.	F3032-A					F3034-A				
	Bowen No.	9283-A					17248-A				
GRAPPLE SEGMENT <i>(8 per 1 set)</i>	Logan Part No.	F3032-B					F3034-B				
	Bowen No.	9283-B					17248-B				
SEGMENT SCREW	Logan Part No.	T3001					T3001				
	Bowen No.	23020					23020				
	No. Req'd	16					16				
RETAINER RING	Logan Part No.	T4001					T4001				
	Bowen No.	56409					56409				
	No. Req'd	2					2				
RETAINER RING SCREW	Logan Part No.	T5001					T5001				
	Bowen No.	56813					56813				
	No. Req'd	4					4				
RETAINER RING SCREW SPACER	Logan Part No.	T6000					T6000				
	Bowen No.	56979					56979				
	No. Req'd	4					4				

ASSEMBLES TO SPEAR		Logan Part No. 202-021		
	Bowen No.	27780		
CATCH SIZE (PIPE SIZE)		16	18-5/8	20
PIPE WEIGHT		55.00	...	90.00
		65.00	...	94.00
		84.00	...	133.00
COMPLETE ASSEMBLY		Logan Part No. 205-004		
	Bowen No.	27782		
GRAPPLE BODY	Logan Part No.	F3035-A		
	Bowen No.	27782A		
GRAPPLE SEGMENT <i>(8 per 1 set)</i>	Logan Part No.	F3035-B		
	Bowen No.	27782B		
SEGMENT SCREW	Logan Part No.	T3002		
	Bowen No.	12019		
	No. Req'd	16		
RETAINER RING	Logan Part No.	T4002		
	Bowen No.	56858		
	No. Req'd	2		
RETAINER RING SCREW	Logan Part No.	T5002		
	Bowen No.	56859		
	No. Req'd	4		
RETAINER RING SCREW SPACER	Logan Part No.	T6000		
	Bowen No.	56979		
	No. Req'd	4		

Logan Oil Tools reserves the right to change or discontinue designs without notice.



Releasing Spear Grapple Range Chart

LOGAN SPEAR GRAPPLE	Logan Part No. Bowen No.	F3000 16457	F3000 16457	F3000 16457	F3000 16457	F3000 16457	F3000 16457	F3000 16457
ACTUAL CATCHING RANGE:								
MINIMUM ID		.725		.799		.850	.912	.932
NOMINAL CATCH SIZE		.742		.813		.864	.924	.944
MAXIMUM ID		.750		.824		.875	.937	.957
OLD NOMINAL SIZE (INCHES)		3/4 ID & 3/4 X-STG Pipe		3/4 Std Pipe .824 ID		.875 to .864 ID 1.0 to 2.25# CS Hydril	.937 ID	.957 ID 1" X-STG Pipe

LOGAN SPEAR GRAPPLE	Logan Part No. Bowen No.	F3000 16457	F3000 16457	F3000 16457	F3000 16457	F3001 19352	F3001 19352	F3001 19352
ACTUAL CATCHING RANGE:								
MINIMUM ID		.955	.975	1.033	1.100	.913	.956	1.005
NOMINAL CATCH SIZE		.967	.987	1.049	1.112	.937	.978	1.027
MAXIMUM ID		.982	1.000	1.058	1.125	.957	1.000	1.049
OLD NOMINAL SIZE (INCHES)		.982 ID	1" ID	1" Std Pipe 1.049 ID	1-1/8 ID	.957 ID 1" X-STG Pipe	1" ID	1.045 ID 1" Std Pipe

LOGAN SPEAR GRAPPLE	Logan Part No. Bowen No.	F3001 19352	F3001 19352	F3002 11197	F3002 11197	F3002 11197	F3002 11197	F3002 11197
ACTUAL CATCHING RANGE:								
MINIMUM ID		1.050	1.081	1.137	1.180	1.211	1.242	1.273
NOMINAL CATCH SIZE		1.072	1.103	1.170	1.215	1.246	1.277	1.308
MAXIMUM ID		1.093	1.125	1.207	1.250	1.281	1.312	1.342
OLD NOMINAL SIZE (INCHES)		1.093 ID	1.250 ID	1.187 ID	1.250 to 1.219 ID	1.281 to 1.250 ID	1.312 to 1.281 ID	1.343 to 1.312 ID

LOGAN SPEAR GRAPPLE	Logan Part No. Bowen No.	F3002 11197	F3002 11197	F3002 11197	F3002 11197	F3002 11197	F3002 11197	F3002 11197
ACTUAL CATCHING RANGE:								
MINIMUM ID		1.332	1.394	1.430	1.580	1.481	1.519	1.650
NOMINAL CATCH SIZE		1.367	1.429	1.465	1.615	1.516	1.554	1.687
MAXIMUM ID		1.402	1.464	1.500	1.652	1.551	1.589	1.720
OLD NOMINAL SIZE (INCHES)		1-3/8 ID 1-1/4 Tbg	1.438 ID	1.500 to 1.469 ID	1-1/2 Std Pipe & 1-5/8 ID	1.531 ID	1 9/16 ID	1.687 to 1.700 ID

LOGAN SPEAR GRAPPLE	Logan Part No. Bowen No.	F3002 11197	F3002 11197	F3002 11197	F3002 11197	F3002 11197	F3002 11197	F3004 9917
ACTUAL CATCHING RANGE:								
MINIMUM ID		1.722	1.771	1.836	1.895	1.957	2.024	1.441
NOMINAL CATCH SIZE		1.757	1.806	1.875	1.930	1.992	2.061	1.470
MAXIMUM ID		1.792	1.841	1.906	1.965	2.027	2.094	1.500
OLD NOMINAL SIZE (INCHES)		1-3/4 to 1-25/32 ID	1.815 ID	1-7/8 to 1-29/32	1-15/16 ID	2 ID	2.067 ID	1.500 ID to 1-1/2 X-STG Pipe

Note: Grapples are stenciled with nominal catch size.

Logan Oil Tools reserves the right to change or discontinue designs without notice.



Releasing Spear Grapple Range Chart

LOGAN SPEAR GRAPPLE	Logan Part No. Bowen No.	F3004 9917	F3004 9917	F3004 9917	F3004 9917	F3004 9917	F3004 9917	F3004 9917
ACTUAL CATCHING RANGE:								
MINIMUM ID		1.470	1.472	1.553	1.566	1.598	1.612	1.673
NOMINAL CATCH SIZE		1.500	1.502	1.583	1.596	1.628	1.642	1.700
MAXIMUM ID		1.527	1.529	1.610	1.625	1.657	1.670	1.750
OLD NOMINAL SIZE (INCHES)				1-1/2 Std Pipe to 1.610 ID	1-5/8 ID	1.657 ID	1.670 ID	1-3/4 1.700 ID

LOGAN SPEAR GRAPPLE	Logan Part No. Bowen No. Price
LOGAN SPEAR GRAPPLE	Logan Part No. Bowen No.	F3004 9917	F3004 9917	F3004 9917	F3004 9917	F3004 9917	F3005 9647	F3005 9647
ACTUAL CATCHING RANGE:								
MINIMUM ID		1.707	1.742	1.817	1.881	1.942	1.677	1.742
NOMINAL CATCH SIZE		1.737	1.772	1.847	1.911	1.972	1.719	1.778
MAXIMUM ID		1.781	1.800	1.875	1.939	2.000	1.750	1.815
OLD NOMINAL SIZE (INCHES)		1.781 ID	1.800 ID	1-7/8 ID	1.939 ID	2 ID	1.719 to 1.750 ID	2-3/8 Drill Pipe, 65.5#

LOGAN SPEAR GRAPPLE	Logan Part No. Bowen No.	F3007 1348	F3007 1348	F3007 1348	F3007 1348
LOGAN SPEAR GRAPPLE	Logan Part No. Bowen No.	F3005 9647	F3005 9647	F3005 9647	F3008 17230	F3008 17230	F3008 17230	F3008 17230
ACTUAL CATCHING RANGE:								
MINIMUM ID		1.802	1.864	1.968	1.788	1.796	1.889	1.952
NOMINAL CATCH SIZE		1.838	1.900	2.004	1.828	1.836	1.929	1.992
MAXIMUM ID		1.875	1.937	2.041	1.867	1.876	1.968	2.041
OLD NOMINAL SIZE (INCHES)		1-7/8 & 1-27/32 ID	1.875 to 1.937 ID	2-3/8 Tbg, 4 to 4.7#	1.867 ID Turn Body Down	1.875 ID Turn Body Down	1.937 to 1.968 ID	2-3/8 Tbg, 4 to 4.7#

LOGAN SPEAR GRAPPLE	Logan Part No. Bowen No.	F3007 1348	F3007 1348	F3007 1348	F3007 1348	F3007 1348	F3007 1348	F3007 1348
LOGAN SPEAR GRAPPLE	Logan Part No. Bowen No.	F3008 17230	F3008 17230	F3008 17230	F3008 17230	F3008 17230	F3008 17230	F3008 17230
ACTUAL CATCHING RANGE:								
MINIMUM ID		1.983	2.045	2.091	2.170	2.186	2.233	2.249
NOMINAL CATCH SIZE		2.023	2.085	2.131	2.211	2.226	2.273	2.289
MAXIMUM ID		2.062	2.125	2.172	2.250	2.266	2.312	2.329
OLD NOMINAL SIZE (INCHES)		2.000 to 2.062 ID	2-1/8 ID	2-7/8 DP, 9.75 to 10.4#	2-1/4 to 2-3/16 ID	2-17/64 ID	2-5/16 ID	2-7/8 OD 7.8 to 8.35# DP

Note: Grapples are stenciled with nominal catch size.

Logan Oil Tools reserves the right to change or discontinue designs without notice.



Releasing Spear Grapple Range Chart

LOGAN SPEAR GRAPPLE	Logan Part No.	F3007	F3007	F3007	F3007	F3007	F3007	F3007
	Bowen No.	1348	1348	1348	1348	1348	1348	1348
LOGAN SPEAR GRAPPLE	Logan Part No.	F3008	F3008	F3008	F3008	F3008	F3008	F3008
	Bowen No.	17230	17230	17230	17230	17230	17230	17230
ACTUAL CATCHING RANGE:								
MINIMUM ID		2.295	2.358	2.390	2.420	2.556	2.608	2.670
NOMINAL CATCH SIZE		2.335	2.398	2.430	2.460	2.596	2.648	2.710
MAXIMUM ID		2.375	2.438	2.469	2.500	2.625	2.688	2.750
OLD NOMINAL SIZE (INCHES)		2-3/8 ID NX 1/2 Rod	2-3/8 ID 2-7/16 ID	2-7/8 Tbg 6.25-6.5#, 2-7/8 OD	2-7/16 ID 2-1/2 ID	2-5/8 ID & 2-9/16 ID	2-5/8 ID & 2-11/16 ID	2-3/4 ID

LOGAN SPEAR GRAPPLE	Logan Part No.	F3007	F3007	F3007	F3007	F3009	F3009	F3009
	Bowen No.	1348	1348	1348	1348	1230	1230	1230
LOGAN SPEAR GRAPPLE	Logan Part No.	F3008	F3008	F3008	F3008	F3010	F3010	F3010
	Bowen No.	17230	17230	17230	17230	17233	17233	17233
ACTUAL CATCHING RANGE:								
MINIMUM ID		2.921	3.046	3.170	3.264	2.280	2.351	2.390
NOMINAL CATCH SIZE		2.961	3.086	3.210	3.304	2.328	2.399	2.438
MAXIMUM ID		3.000	3.126	3.250	3.344	2.375	2.446	2.487
OLD NOMINAL SIZE (INCHES)		3 ID & 2-15/16 ID - NX DRIVE	3-1/16 ID & 3-1/8 ID	3-1/4 ID & 3-3/16 ID	3-11/32 ID & 3-9/32 ID	2-3/8 ID	2-3/8 to 2-7/16 ID	2-7/8 Tbg 6.25-6.5#, 2-7/8 OD

LOGAN SPEAR GRAPPLE	Logan Part No.	F3009	F3009	F3009	F3009	F3009	F3009	F3009
	Bowen No.	1230	1230	1230	1230	1230	1230	1230
LOGAN SPEAR GRAPPLE	Logan Part No.	F3010	F3010	F3010	F3010	F3010	F3010	F3010
	Bowen No.	17233	17233	17233	17233	17233	17233	17233
ACTUAL CATCHING RANGE:								
MINIMUM ID		2.468	2.515	2.593	2.671	2.700	2.827	2.843
NOMINAL CATCH SIZE		2.516	2.562	2.641	2.718	2.748	2.875	2.891
MAXIMUM ID		2.563	2.610	2.688	2.766	2.813	2.922	2.938
OLD NOMINAL SIZE (INCHES)		2.562 to 2-15/32 ID	3-1/2 OD 15.5# Drill Pipe	2-11/16 2-5/8 ID	3-1/2 OD 12.4 to 13.3# Drill Pipe	2-13/16 ID & 2-3/4 ID	3-1/2 OD 10.2 to 11.2# Drill Pipe	2-7/8 to 2-15/16 ID

Note: Grapples are stenciled with nominal catch size.

Logan Oil Tools reserves the right to change or discontinue designs without notice.



Releasing Spear Grapple Range Chart

LOGAN SPEAR GRAPPLE	Logan Part No.	F3009	F3009	F3009	F3009	F3009	F3009	...
	Bowen No.	1230	1230	1230	1230	1230	1230	...
LOGAN SPEAR GRAPPLE	Logan Part No.	F3010	F3010	F3010	F3010	F3010	F3010	F3012
	Bowen No.	17233	17233	17233	17233	17233	17233	9412
ACTUAL CATCHING RANGE:								
MINIMUM ID		2.890	2.984	3.030	3.155	3.297	3.437	2.881
NOMINAL CATCH SIZE		2.938	3.032	3.078	3.203	3.345	3.485	2.933
MAXIMUM ID		2.992	3.079	3.125	3.250	3.392	3.532	2.992
OLD NOMINAL SIZE (INCHES)		3-1/2 OD 9.2-10.2# Tbg	3-1/2 OD 7.7# Tbg	3-1/8 3-1/16 ID	3-1/4 3-3/16 ID	3.340 to 3.382 ID	3-1/2 ID	3-1/2 OD 9.2-10.2# Tbg

LOGAN SPEAR GRAPPLE	Logan Part No.
	Bowen No.
LOGAN SPEAR GRAPPLE	Logan Part No.	F3012	F3012	F3012	F3012	F3012	F3012	F3012
	Bowen No.	9412	9412	9412	9412	9412	9412	9412
ACTUAL CATCHING RANGE:								
MINIMUM ID		2.949	3.021	3.146	3.256	3.365	3.444	3.522
NOMINAL CATCH SIZE		3.001	3.073	3.198	3.308	3.417	3.496	3.574
MAXIMUM ID		3.068	3.125	3.250	3.364	3.476	3.548	3.625
OLD NOMINAL SIZE (INCHES)		3-1/2 OD 7.7 to 9.2#	3-1/8 ID	3-1/4 ID 3-3/16 ID	4 OD 12.5 to 14.0# Drill Pipe	4 OD 11.0 to 11.6#	4 OD 9.5 to 11.0#	3.500 to 3.625 ID

LOGAN SPEAR GRAPPLE	Logan Part No.	F3014	F3014	F3014	F3014	F3014
	Bowen No.	532	532	532	532	532
LOGAN SPEAR GRAPPLE	Logan Part No.	F3012	F3012	F3015	F3015	F3015	F3015	F3015
	Bowen No.	9412	9412	9487	9487	9487	9487	9487
ACTUAL CATCHING RANGE:								
MINIMUM ID		3.584	3.646	3.218	3.327	3.406	3.484	3.608
NOMINAL CATCH SIZE		3.636	3.698	3.291	3.400	3.479	3.557	3.681
MAXIMUM ID		3.687	3.750	3.364	3.476	3.548	3.625	3.754
OLD NOMINAL SIZE (INCHES)		3-11/16 ID	3-3/4 ID	4 OD 12.5 to 14.0 Tbg	4 OD 11.0 to 11.6# Tbg	4 OD 9.5 to 11.0# Tbg	3-5/8 ID & 3-9/16 ID	4-1/2 OD 18.1 to 22.0# Tbg

Note: Grapples are stenciled with nominal catch size.

Logan Oil Tools reserves the right to change or discontinue designs without notice.



Releasing Spear Grapple Range Chart

LOGAN SPEAR GRAPPLE	Logan Part No.	F3014	F3014	F3014	F3014	F3014	F3014	F3014
	Bowen No.	532	532	532	532	532	532	532
LOGAN SPEAR GRAPPLE	Logan Part No.	F3015	F3015	F3015	F3015	F3015	F3015	F3015
	Bowen No.	9487	9487	9487	9487	9487	9487	9487
ACTUAL CATCHING RANGE:								
MINIMUM ID		3.671	3.812	3.874	3.937	4.134	4.155	4.358
NOMINAL CATCH SIZE		3.744	3.885	3.947	4.010	4.207	4.228	4.431
MAXIMUM ID		3.826	3.958	4.026	4.090	4.276	4.300	4.506
OLD NOMINAL SIZE (INCHES)		4-1/2 OD 15.3 to 18.1# Tbg	4-1/2 OD 13.7 to 15.3# Tbg	4-1/2 OD 11.0 to 13.7# Tbg	4-1/2 OD 9.5 to 11.6# Tbg	5 OD 18.0 to 21.0# Tbg	5 OD 17.7 to 18.0# Tbg	5 Tbg 12.6 to 15.0# (4.408 ID)

LOGAN SPEAR GRAPPLE	Logan Part No.	F3014	F3014	F3016	F3016	F3016	F3016	F3016
	Bowen No.	532	532	13202	13202	13202	13202	13202
LOGAN SPEAR GRAPPLE	Logan Part No.	F3015	F3015	F3017	F3017	F3017	F3017	F3017
	Bowen No.	9487	9487	17477	17477	17477	17477	17477
ACTUAL CATCHING RANGE:								
MINIMUM ID		4.406	4.874	3.682	3.761	3.823	3.886	4.073
NOMINAL CATCH SIZE		4.479	4.947	3.782	3.861	3.923	3.986	4.173
MAXIMUM ID		4.560	5.012	3.881	3.958	4.026	4.090	4.276
OLD NOMINAL SIZE (INCHES)		5 OD 11.5# Tbg	5-1/2 OD 14.0 to 17.0# Tbg	4-1/2 OD 15.3 to 18.1# Tbg	4-1/2 OD 13.7 to 15.3# Tbg	4-1/2 OD 11.0 to 13.7# Tbg	4-1/2 OD 9.5 to 11.6# Csg	5 OD 18.0 to 21.0# Csg

LOGAN SPEAR GRAPPLE	Logan Part No.	F3016	F3016	F3018	F3018	F3018	F3018	F3018
	Bowen No.	13202	13202	1334	1334	1334	1334	1334
LOGAN SPEAR GRAPPLE	Logan Part No.	F3017	F3017	F3019	F3019	F3019	F3019	F3019
	Bowen No.	17477	17477	9682	9682	9682	9682	9682
ACTUAL CATCHING RANGE:								
MINIMUM ID		4.214	4.307	4.093	4.234	4.390	4.469	4.515
NOMINAL CATCH SIZE		4.314	4.407	4.179	4.320	4.476	4.555	4.601
MAXIMUM ID		4.408	4.506	4.276	4.408	4.562	4.642	4.696
OLD NOMINAL SIZE (INCHES)		5 OD 15.0 to 18.0# Csg	5 OD 12.6 to 15.0# Csg	5 OD 18.0 to 21.0# Csg	5 OD 15.0 to 18.0# Csg	5 OD 11.5 to 15.0# Csg	5 OD 9.0 to 13.0# Csg	5 OD, 8# 5-1/2 OD 23 to 25# Csg

Note: Grapples are stenciled with nominal catch size.

Logan Oil Tools reserves the right to change or discontinue designs without notice.



Releasing Spear Grapple Range Chart

LOGAN SPEAR GRAPPLE	Logan Part No.	F3018	F3018	F3018	F3018	F3018	F3018	F3018
	Bowen No.	1334	1334	1334	1334	1334	1334	1334
LOGAN SPEAR GRAPPLE	Logan Part No.	F3019	F3019	F3019	F3019	F3019	F3019	F3019
	Bowen No.	9682	9682	9682	9682	9682	9682	9682
ACTUAL CATCHING RANGE:								
MINIMUM ID		4.609	4.719	4.875	4.922	5.015	5.124	5.218
NOMINAL CATCH SIZE		4.695	4.805	4.961	5.008	5.101	5.210	5.304
MAXIMUM ID		4.782	4.892	5.048	5.095	5.192	5.297	5.390
OLD NOMINAL SIZE (INCHES)		5 1/2 OD 20.0 to 23.0# Csg	5-1/2 OD 17.0 to 20.0# Csg	5-1/2 OD 14.0 to 17.0# Csg	5-3/4 OD 19.5 to 22.5# Csg	5-3/4, 17-19.5# 5 1/2 OD 9.0 to 13.0# Csg	5-3/4 OD 14.0 to 17.0 Csg	6 OD 20.0# Csg to 23.0# Csg

LOGAN SPEAR GRAPPLE	Logan Part No.	F3018	F3018	F3018	F3022	F3022	F3022	F3022
	Bowen No.	1334	1334	1334	9717	9717	9717	9717
LOGAN SPEAR GRAPPLE	Logan Part No.	F3019	F3019	F3019	F3023	F3023	F3023	F3023
	Bowen No.	9682	9682	9682	17236	17236	17236	17236
ACTUAL CATCHING RANGE:								
MINIMUM ID		5.281	5.375	5.500	5.000	5.093	5.187	5.280
NOMINAL CATCH SIZE		5.367	5.461	5.586	5.134	5.227	5.321	5.414
MAXIMUM ID		5.454	5.552	5.675	5.266	5.360	5.454	5.547
OLD NOMINAL SIZE (INCHES)		6 OD 17.0 to 20.0# Csg	6 OD 14.0 to 17.0# Csg	6-5/8 OD 32.0 to 34.0# Csg	6 OD 23.0 to 26.0# Csg	6 OD 20.0 to 23.0# Csg	6 OD 17.0 to 20.0# Csg	6 OD 14.0 to 17.0# Csg

LOGAN SPEAR GRAPPLE	Logan Part No.	F3022	F3022	F3022	F3022	F3022	F3022	F3022
	Bowen No.	9717	9717	9717	9717	9717	9717	9717
LOGAN SPEAR GRAPPLE	Logan Part No.	F3023	F3023	F3023	F3023	F3023	F3023	F3023
	Bowen No.	17236	17236	17236	17236	17236	17236	17236
ACTUAL CATCHING RANGE:								
MINIMUM ID		5.406	5.530	5.593	5.656	5.671	5.781	5.796
NOMINAL CATCH SIZE		5.540	5.664	5.727	5.790	5.805	5.915	5.930
MAXIMUM ID		5.675	5.797	5.860	5.923	5.938	6.049	6.063
OLD NOMINAL SIZE (INCHES)		6 OD 10.5 to 14.0# Csg	6-5/8 OD 28.0 to 32.0# Csg	6-5/8 OD 26.0 to 29.0# Csg	6-5/8 OD 24.0 to 28.0# Csg	7 OD 38.0 to 40.0# Csg	6-5/8 OD 20.0 to 24.0# Csg	7 OD 33.7 to 38.0# Csg

Note: Grapples are stenciled with nominal catch size.

Logan Oil Tools reserves the right to change or discontinue designs without notice.



Releasing Spear Grapple Range Chart

LOGAN SPEAR GRAPPLE	Logan Part No.	F3022	F3022	F3022	F3022	F3022	F3022	F3024
	Bowen No.	9717	9717	9717	9717	9717	9717	9268
LOGAN SPEAR GRAPPLE	Logan Part No.	F3023	F3023	F3023	F3023	F3023	F3023	F3026
	Bowen No.	17236	17236	17236	17236	17236	17236	17239
ACTUAL CATCHING RANGE:								
MINIMUM ID		5.875	5.937	6.015	6.140	6.202	6.281	5.770
NOMINAL CATCH SIZE		6.009	6.071	6.149	6.274	6.335	6.415	5.970
MAXIMUM ID		6.142	6.204	6.282	6.407	6.469	6.548	6.173
OLD NOMINAL SIZE (INCHES)		6-5/8 OD 17.0 to 22.0# Csg	7 OD 29.0 to 33.7# Csg	7 OD 26.0 to 29.0# Csg	7 OD 22.0 to 26.0# Csg	7 OD 20.0 to 23.0# Csg	7 OD 17.0 to 20.0# Csg	7" 30.0-40.0# & 6-5/8 24.0# Csg

LOGAN SPEAR GRAPPLE	Logan Part No.	F3024	F3024	F3024	F3024	F3024	F3024	F3024
	Bowen No.	9268	9268	9268	9268	9268	9268	9268
LOGAN SPEAR GRAPPLE	Logan Part No.	F3026	F3026	F3026	F3026	F3026	F3026	F3026
	Bowen No.	17239	17239	17239	17239	17239	17239	17239
ACTUAL CATCHING RANGE:								
MINIMUM ID		5.895	6.020	6.270	6.364	6.567	6.864	6.987
NOMINAL CATCH SIZE		6.095	6.220	6.470	6.564	6.767	7.064	7.187
MAXIMUM ID		6.297	6.423	6.673	6.765	6.969	7.263	7.391
OLD NOMINAL SIZE (INCHES)		7 OD 26.0 to 35.0# Csg	7 OD 22.0 to 33.7# Csg	7 OD 13.0 to 24.0# Csg	7-5/8 OD 33.7 to 45.0# Csg	7-5/8 OD 26.4 to 39.0# Csg	7-5/8 OD 14.7 to 26.4# Csg	8-1/8 OD 32.0 to 42.0#Csg

LOGAN SPEAR GRAPPLE	Logan Part No.	F3024	F3024	F3024	F3024	F3024	F3024	F3024
	Bowen No.	9268	9268	9268	9268	9268	9268	9268
LOGAN SPEAR GRAPPLE	Logan Part No.	F3026	F3026	F3026	F3026	F3026	F3026	F3026
	Bowen No.	17239	17239	17239	17239	17239	17239	17239
ACTUAL CATCHING RANGE:								
MINIMUM ID		7.225	7.239	7.489	7.755	7.911	7.958	8.692
NOMINAL CATCH SIZE		7.425	7.439	7.689	7.955	8.111	8.158	8.892
MAXIMUM ID		7.628	7.642	7.892	8.157	8.313	8.360	9.094
OLD NOMINAL SIZE (INCHES)		8 OD 16.0 to 26.0# Csg	7-9/16 ID	8-5/8 OD 34.0 to 48.0# Csg	8-5/8 24.0- 38.0#, 9" 55# Csg	8-5/8 OD 17.6 to 29.3# Csg	9 OD 34.0 to 45.0# Csg	9-5/8 OD 29.3 to 42.0# Csg

Note: Grapples are stenciled with nominal catch size.

Logan Oil Tools reserves the right to change or discontinue designs without notice.



Releasing Spear Grapple Range Chart

LOGAN SPEAR GRAPPLE	Logan Part No.	F3024	F3029	F3029	F3029	F3029	F3029	F3029
	Bowen No.	9268	9382	9382	9382	9382	9382	9382
LOGAN SPEAR GRAPPLE	Logan Part No.	F3026	F3030	F3030	F3030	F3030	F3030	F3030
	Bowen No.	17239	17245	17245	17245	17245	17245	17245
ACTUAL CATCHING RANGE:								
MINIMUM ID		8.442	7.537	7.729	7.981	8.435	8.535	8.760
NOMINAL CATCH SIZE		8.642	7.690	7.882	8.134	8.588	8.688	8.913
MAXIMUM ID		8.884	7.846	8.034	8.315	8.755	8.846	9.065
OLD NOMINAL SIZE (INCHES)		9-5/8 OD 43.5 to 53.5# Csg	8-5/8 OD 36.0 to 48.0# Csg	8-5/8 28.0 to 38.0#, 9 OD 45.0 to 55.0# Csg	8-5/8 17.5 to 29.3#, 9 OD 34.0 to 45.0# Csg	9 OD 19.0# & 9-5/8 OD 43.5 to 58.0# Csg	9-5/8 OD 40.0 to 53.5# Csg	9-5/8 OD 29.3 to 42.0# Csg

LOGAN SPEAR GRAPPLE	Logan Part No.	F3029	205-000 *	205-000 *	205-000 *	205-000 *	205-000 *	205-000 *
	Bowen No.	9382	9382	9382	9382	9382	9382	9382
LOGAN SPEAR GRAPPLE	Logan Part No.	205-001 *	205-001 *	205-001 *	205-001 *	205-001 *	205-001 *	205-001 *
	Bowen No.	17245	17245	17245	17245	17245	17245	17245
ACTUAL CATCHING RANGE:								
MINIMUM ID		9.479	9.760	9.885	10.729	10.854	12.228	12.415
NOMINAL CATCH SIZE		9.632	9.913	10.038	10.882	11.007	12.381	12.568
MAXIMUM ID		9.784	10.065	10.192	11.034	11.159	12.534	12.721
OLD NOMINAL SIZE (INCHES)		10-3/4 OD 55.5 to 65.7# Csg	10-3/4 OD 40.0 to 55.5# Csg	10-3/4 OD 32.7 to 48.0# Csg	11-3/4 OD 47.0 to 60.0# Csg	11-3/4 OD 38.0 to 54.0# Csg	13-3/8 OD 61.0 to 85.0# Csg	13-3/8 OD 48.0 to 68.0# Csg

LOGAN SPEAR GRAPPLE	Logan Part No.	F3032	F3032	F3032	F3032	F3032	F3032	F3032
	Bowen No.	9283	9283	9283	9283	9283	9283	9283
LOGAN SPEAR GRAPPLE	Logan Part No.	F3034	F3034	F3034	F3034	F3034	F3034	F3034
	Bowen No.	17248	17248	17248	17248	17248	17248	17248
ACTUAL CATCHING RANGE:								
MINIMUM ID		8.435	8.519	8.596	8.738	9.738	9.867	9.225
NOMINAL CATCH SIZE		8.597	8.681	8.758	8.900	9.900	10.029	9.387
MAXIMUM ID		8.755	8.844	8.921	9.063	10.063	10.192	9.550
OLD NOMINAL SIZE (INCHES)		9-5/8 OD 43.5 to 58.0# Csg	9-5/8 OD 40.0 to 53.5# Csg	9-5/8 OD 36.0 to 43.5# Csg	9-5/8 OD 29.3 to 40.0# Csg	10-3/4 OD 40.0 to 55.5# Csg	10-3/4 OD 32.7 to 48.0# Csg	10-3/4 OD 71.0 to 76.0# Csg

Note: Grapples are stenciled with nominal catch size

* Segmented grapples.

Logan Oil Tools reserves the right to change or discontinue designs without notice.



Releasing Spear Grapple Range Chart

LOGAN SPEAR GRAPPLE	Logan Part No.	205-002 *	F3032	F3032	F3032	F3032	205-002 *	205-002 *
	Bowen No.	9283	9283	9283	9283	9283	9283	9283
LOGAN SPEAR GRAPPLE	Logan Part No.	205-003 *	F3034	F3034	F3034	F3034	205-003 *	205-003 *
	Bowen No.	17248	17248	17248	17248	17248	17248	17248
ACTUAL CATCHING RANGE:								
MINIMUM ID		11.206	10.581	10.832	10.612	10.675	11.643	11.674
NOMINAL CATCH SIZE		11.369	10.743	10.994	10.774	10.837	11.805	11.837
MAXIMUM ID		11.531	10.906	11.157	10.937	11.000	11.968	12.000
OLD NOMINAL SIZE (INCHES)		11.5 ID	11-3/4 OD 54.0 to 65.0# Csg	11-3/4 OD 38.0 to 54.0# Csg	11-3/4 OD 60.0# Csg	11-3/4 OD 47.0 to 60.0# Csg	13-3/8 OD 11.937 ID Csg	13-3/8 OD 96.0#, 11.975 ID Csg

LOGAN SPEAR GRAPPLE	Logan Part No.	205-002 *	205-002 *	205-002 *	205-002 *	205-002 *	205-002 *	205-002 *
	Bowen No.	9283	9283	9283	9283	9283	9283	9283
LOGAN SPEAR GRAPPLE	Logan Part No.	205-003 *	205-003 *	205-003 *	205-003 *	205-003 *	205-003 *	205-003 *
	Bowen No.	17248	17248	17248	17248	17248	17248	17248
ACTUAL CATCHING RANGE:								
MINIMUM ID		12.022	12.393	12.455	13.143	13.312	13.330	15.112
NOMINAL CATCH SIZE		12.184	12.555	12.617	13.305	13.474	13.492	15.274
MAXIMUM ID		12.347	12.718	12.780	13.468	13.637	13.655	15.437
OLD NOMINAL SIZE (INCHES)		13-3/8 OD 72.0 to 85.0# Csg	13-3/8 OD 48.0 to 68.0# Csg	12-3/4 OD 12-3/4 ID	14 OD 42.0 to 57.0# Csg	13.599 to 13.609 ID	13-5/8 ID	16 OD 55.0 to 75.0# Csg

LOGAN SPEAR GRAPPLE	Logan Part No.	205-002 *	205-002 *	205-002 *	205-002 *			
	Bowen No.	9283	9283	9283	9283			
LOGAN SPEAR GRAPPLE	Logan Part No.	205-003 *	205-003 *	205-003 *	205-003 *			
	Bowen No.	17248	17248	17248	17248			
ACTUAL CATCHING RANGE:								
MINIMUM ID		14.925	17.331	18.862	17.487			
NOMINAL CATCH SIZE		15.087	17.493	19.024	17.650			
MAXIMUM ID		15.250	17.656	19.187	17.812			
OLD NOMINAL SIZE (INCHES)		16 OD 65.0 to 84.0# Csg	17-1/2 ID	20 OD 90.0 to 106.5# Csg	18-5/8 OD 87.0# Csg			

Note: Grapples are stenciled with nominal catch size

* Segmented grapples.

Logan Oil Tools reserves the right to change or discontinue designs without notice.



Calculated Strengths

LOGAN ASSY. NO.	BOWEN NO.	ACTUAL CATCHING RANGE			OLD NOMINAL SIZE (INCHES) *	GRAPPLE O.D. - .000 / + .005	TENSILE STRENGTH OF BODY YIELD STRENGTH (lbs)
		MIN. I.D.	NOMINAL CATCH SIZE	MAX. I.D.			
F3000	16457	0.725	0.742	0.750	3/4 ID & 3/4 X-STG Pipe	0.770	20,800
		0.799	0.813	0.824	3/4 Std Pipe, .824 ID	0.844	
		0.850	0.864	0.875	.875 to .864 ID, 1 to 2.25# CS Hydril	0.895	
		0.912	0.924	0.937	.937 ID	0.957	
		0.932	0.944	0.957	.957 ID, 1" X-STG Pipe	0.977	
		0.955	0.967	0.982	.982 ID	1.000	
		0.975	0.987	1.000	1 ID	1.020	
		1.033	1.049	1.058	1.049 ID, 1" Std Pipe	1.078	
		1.100	1.112	1.125	1-1/8 ID	1.145	
F3001	19352	0.913	0.937	0.957	.957 ID - 1" X-STG Pipe	0.988	29,400
		0.956	0.978	1.000	1 ID	1.031	
		1.005	1.027	1.049	1.045 ID, 1" Std Pipe	1.080	
		1.050	1.072	1.093	1.093 ID	1.125	
		1.081	1.103	1.125	1.250 ID	1.156	
F3002	11197	1.137	1.170	1.207	1.187 ID	1.227	43,600
		1.180	1.215	1.250	1.250 to 1.219 ID	1.270	
		1.211	1.246	1.281	1.281 to 1.250 ID	1.301	
		1.242	1.277	1.312	1.312 to 1.281 ID	1.332	
		1.273	1.308	1.342	1.343 to 1.312 ID	1.363	
		1.332	1.367	1.402	1-3/8 ID, 1-1/4 Tbg	1.422	
		1.394	1.429	1.464	1.438 ID	1.484	
		1.430	1.465	1.500	1.500 to 1.469 ID	1.520	
		1.580	1.615	1.652	1-1/2 Std Pipe & 1-5/8 ID	1.672	
		1.481	1.516	1.551	1.531 ID	1.571	
		1.519	1.554	1.589	1-9/16 ID	1.609	
		1.650	1.687	1.720	1.687 to 1.700 ID	1.740	
		1.722	1.757	1.792	1-3/4 to 1-25/32 ID	1.812	
		1.771	1.806	1.841	1.815 ID	1.861	
		1.836	1.875	1.906	1-7/8 to 1-29/32 ID	1.936	
		1.895	1.930	1.965	1-15/16 ID	1.985	
1.957	1.992	2.027	2 ID	2.047			
2.024	2.061	2.094	2.067 ID	2.114			
F3004	9917	1.441	1.470	1.500	1.500 ID to 1-1/2 X-STG Pipe	1.546	62,000
		1.470	1.500	1.527	
		1.472	1.502	1.529	
		1.553	1.583	1.610	1-1/2 Std Pipe to 1.610 ID	1.658	
		1.566	1.596	1.625	1-5/8 ID	1.671	
		1.598	1.628	1.657	1.657 ID	1.703	
		1.612	1.642	1.670	1.670 ID	1.717	
		1.673	1.700	1.734	1-3/4 1.700 ID	1.781	
		1.707	1.737	1.765	1.781 ID	1.812	
		1.742	1.772	1.800	1.800 ID	1.847	
		1.817	1.847	1.875	1.7/8 ID	1.922	
		1.881	1.911	1.939	1.939 ID	1.986	
		1.942	1.972	2.000	2 ID	2.047	
F3005	9647	1.677	1.719	1.750	1.719 to 1.750 ID	1.781	116,400
		1.742	1.778	1.815	2-3/8 Drill Pipe, 6.65#	1.846	
		1.802	1.838	1.875	1-7/8 & 1-27/32 ID	1.906	
		1.864	1.900	1.937	1.875 to 1.937 ID	1.968	
		1.968	2.004	2.041	2-3/8 Tbg, 4.0 to 4.7#	2.072	

* Grapples were marked with this description.

The strengths shown are theoretical calculations based on yield strength of the material used in each case. The strengths shown are therefore accurate, plus or minus 20% of the figures shown, only.

These figures do not constitute a guarantee, actual or implied. They are meant to serve only as a guide and appropriate safety factor allowance must be made in use.



Calculated Strengths

LOGAN ASSY. NO.	BOWEN NO.	ACTUAL CATCHING RANGE			OLD NOMINAL SIZE (INCHES) *	GRAPPLE O.D. - .000 / + .005	TENSILE STRENGTH OF BODY YIELD STRENGTH (lbs)	
		MIN. I.D.	NOMINAL CATCH SIZE	MAX. I.D.				
F3007 F3008	1348	1.788	1.828	1.867	1.867 ID, Turn Body Down **	1.898	132,000	
		1.796	1.836	1.876	1.875 ID, Turn Body Down **	1.922		
		1.889	1.929	1.968	1.937 to 1.968 ID	2.015		
		1.952	1.992	2.041	2-3/8 OD, 4.0 to 4.7# Tbg	2.078		
		1.983	2.023	2.062	2.000 to 2.062 ID	2.109		
		2.045	2.085	2.125	2-1/8 ID	2.171		
		2.091	2.131	2.172	2-7/8 ID, 9.75 to 10.4# Drill Pipe	2.218		
		2.170	2.211	2.250	2-1/4 to 2-3/16 ID	2.296		
		2.186	2.226	2.266	2-17/64 ID	2.312		
		2.233	2.273	2.312	2-5/16 ID	2.359		
	2.249	2.289	2.329	2-7/8 OD, 7.8 to 8.35# Drill Pipe	2.375			
	F3008	17230	2.295	2.335	2.375	2-3/8 ID NX 1/2 Rod		2.421
			2.358	2.398	2.438	2-3/8 ID & 2-7/16 ID		2.484
			2.390	2.430	2.469	2-7/8 OD, 6.25 to 6.5# Tbg		2.515
			2.420	2.460	2.500	2-7/16 ID & 2-1/2 ID		2.546
			2.556	2.596	2.625	2-5/8 ID & 2-9/16 ID		2.671
			2.608	2.648	2.688	2-5/8 ID & 2-11/16 ID		2.734
			2.670	2.710	2.750	2-3/4 ID		2.796
			2.921	2.961	3.000	3 ID & 2-15/16 ID NX Drive Csg		3.046
			3.046	3.086	3.126	3-1/16 ID & 3-1/8 ID		3.171
3.170			3.210	3.250	3-1/4 ID & 3-3/16 ID	3.296		
3.264	3.304	3.344	3-11/32 ID & 3-9/32 ID	3.390				
F3009 F3010	1230	2.280	2.328	2.375	2-3/8 ID	2.421	270,000	
		2.351	2.399	2.446	2-3/8 to 2-7/16 ID	2.490		
		2.390	2.438	2.487	2-7/8 OD, 6.25 to 6.5# Tbg	2.531		
		2.468	2.516	2.563	2.562 to 2-15/32 ID	2.609		
		2.515	2.562	2.610	3-1/2 OD, 15.5# Drill Pipe	2.656		
	F3010	17233	2.593	2.641	2.688	2-11/16 to 2-5/8 ID		2.734
			2.671	2.718	2.766	3-1/2 OD, 12.4 to 12.4# Drill Pipe		2.812
			2.700	2.748	2.813	2-13/16 ID & 2-3/4 ID		2.859
			2.827	2.875	2.922	3-1/2 OD, 10.2 to 11.2# Drill Pipe		2.968
			2.843	2.891	2.938	2-7/8 to 2-15/16 ID		2.984
			2.890	2.938	2.992	3-1/2 OD, 9.20# to 10.2# Tbg		3.031
			2.984	3.032	3.079	3-1/2 OD, 7.70# Tbg		3.125
			3.030	3.078	3.125	3-1/8 to 3-1/16 ID		3.171
			3.155	3.203	3.250	3-1/4 to 3-3/16 ID		3.296
			3.297	3.345	3.392	3.340 to 3.382 ID		3.437
3.437	3.485	3.532	3-1/2 ID	3.578				
F3012	9412	2.881	2.933	2.992	3-1/2 OD, 9.2 to 10.2# Tbg	3.031	357,000	
		2.949	3.001	3.068	3-1/2 OD, 7.7 to 9.2#	3.109		
		3.021	3.073	3.125	3-1/8 ID	3.171		
		3.146	3.198	3.250	3-1/4 to 3-3/16 ID	3.296		
		3.256	3.308	3.364	4 OD, 12.50 to 14.0# Drill Pipe	3.406		
		3.365	3.417	3.476	4 OD, 11.0 to 11.6#	3.515		
		3.444	3.496	3.548	4 OD, 9.5 to 11.0#	3.593		
		3.522	3.574	3.625	3.500 to 3.625 ID	3.671		
3.584	3.636	3.687	3-11/16 I.D	3.734				
3.646	3.698	3.750	3-3/4 ID	3.796				

* Grapples were marked with this description.

** Mandrel, release ring, and nut must be turned down 1/32" below minimum ID.

The strengths shown are theoretical calculations based on yield strength of the material used in each case.

The strengths shown are therefore accurate, plus or minus 20% of the figures shown, only.

These figures do not constitute a guarantee, actual or implied. They are meant to serve only as a guide and appropriate safety factor allowance must be made in use.



Calculated Strengths

LOGAN ASSY. NO.	BOWEN NO.	ACTUAL CATCHING RANGE			OLD NOMINAL SIZE (INCHES) *	GRAPPLE O.D. - .000 / + .005	TENSILE STRENGTH OF BODY YIELD STRENGTH (lbs)	
		MIN. I.D.	NOMINAL CATCH SIZE	MAX. I.D.				
F3014 F3015	532	3.218	3.291	3.364	4 OD, 12.5 to 14.0# Tbg	3.406	530,000	
		3.327	3.400	3.476	4 OD, 11.0 to 11.6# Tbg	3.515		
		3.406	3.479	3.548	4 OD, 9.5 to 11.0# Tbg	3.593		
		3.484	3.557	3.625	3-5/8 ID & 3-9/16 ID	3.671		
		3.608	3.681	3.754	4-1/2 OD, 18.1 to 22.0# Tbg	3.796		
		3.671	3.744	3.826	4-1/2 OD, 15.35 to 18.1# Tbg	3.859		
	9487	3.812	3.885	3.958	4-1/2 OD, 13.75 to 15.35# Tbg	4.000		
		3.874	3.947	4.026	4-1/2 OD, 11.0 to 13.75# Tbg	4.062		
		3.937	4.010	4.090	4-1/2 OD, 9.5 to 11.6# Tbg	4.125		
		4.134	4.207	4.276	5 OD, 18.0 to 21.0# Tbg	4.312		
		4.155	4.228	4.300	5 OD, 17.7 to 18.0# Tbg	4.343		
		4.358	4.431	4.506	5 OD (4.408 ID), 12.04 to 15.0# Tbg	4.546		
F3016 F3017	13202	3.682	3.782	3.881	4-1/2 OD, 15.35 to 18.1# Tbg	3.921	725,000	
		3.761	3.861	3.958	4-1/2 OD, 13.75 to 15.35# Tbg	4.000		
		3.823	3.923	4.026	4-1/2 OD, 11.0 to 13.75# Tbg	4.062		
		3.886	3.986	4.090	4-1/2 OD, 9.5 to 11.6# Csg	4.125		
		4.073	4.173	4.276	5 OD, 18.0 to 21.0# Csg	4.312		
		4.214	4.314	4.408	5 OD, 15.0 to 18.0# Csg	4.453		
	17477	4.307	4.407	4.506	5 OD, 12.64 to 15.0# Csg	4.547		
		4.093	4.179	4.276	5 OD, 18.0 to 21.0# Csg	4.312		920,000
		4.234	4.320	4.408	5 OD, 15.0 to 18.0# Csg	4.453		
		4.390	4.476	4.562	5 OD, 11.5 to 15.0# Csg	4.609		
		4.469	4.555	4.642	5 OD, 9.0 to 13.0# Csg	4.687		
		4.515	4.601	4.696	5 OD, 8#	4.734		
F3018 F3019	1334				5-1/2 OD, 23.0 to 25.00# Csg		920,000	
		4.609	4.695	4.782	5-1/2 OD, 20.0 to 23.0# Csg	4.828		
		4.719	4.805	4.892	5-1/2 OD, 17.0 to 20.0# Csg	4.937		
		4.875	4.961	5.048	5-1/2 OD, 14.0 to 17.0# Csg	5.093		
		4.922	5.008	5.095	5-3/4 OD, 19.50 to 22.50# Csg	5.140		
		5.015	5.101	5.192	5-3/4 OD, 17.0 to 19.50# Csg			
	9682				5-1/2 OD 9 to 13# Csg	5.234		
		5.124	5.210	5.297	5-3/4 OD, 14.0 to 17.0# Csg	5.343		
		5.218	5.304	5.390	6 OD, 20.0 to 23.0# Csg	5.437		
		5.281	5.367	5.454	6 OD, 17.0 to 20.0# Csg	5.500		
		5.375	5.461	5.552	6 OD, 14.0 to 17.0# Csg	5.593		
		5.500	5.586	5.675	6-5/8 OD, 32.0 to 34.0# Csg	5.718		

* Grapples were marked with this description.

The strengths shown are theoretical calculations based on yield strength of the material used in each case.
The strengths shown are therefore accurate, plus or minus 20% of the figures shown, only.

These figures do not constitute a guarantee, actual or implied. They are meant to serve only as a guide and appropriate safety factor allowance must be made in use.



Calculated Strengths

LOGAN ASSY. NO.	BOWEN NO.	ACTUAL CATCHING RANGE			OLD NOMINAL SIZE (INCHES) *	GRAPPLE O.D. - .000 / + .005	TENSILE STRENGTH OF BODY YIELD STRENGTH (lbs)		
		MIN. I.D.	NOMINAL CATCH SIZE	MAX. I.D.					
F3022	9717	5.000	5.134	5.266	6 OD, 23.0 to 26.0# Csg	5.312	1,175,000		
		5.093	5.227	5.360	6 OD, 20.0 to 23.0# Csg	5.406			
		5.187	5.321	5.454	6 OD, 17.0 to 20.0# Csg	5.500			
		5.280	5.414	5.547	6 OD, 14.0 to 17.0# Csg	5.593			
		5.406	5.540	5.675	6 OD, 10.5 to 14.0# Csg	5.718			
		5.530	5.664	5.797	6-5/8 OD, 28.0 to 32.0# Csg	5.843			
		5.593	5.727	5.860	6-5/8 OD, 26.0 to 29.0# Csg	5.906			
		5.656	5.790	5.923	6-5/8 OD, 24.0 to 28.0# Csg	5.968			
		F3023	17236	5.671	5.805	5.938		7 OD, 38.0 to 40.0# Csg	5.984
				5.781	5.915	6.049		6-5/8 OD, 20.0 to 24.0# Csg	6.093
				5.796	5.930	6.063		7 OD, 33.7 to 38.0# Csg	6.109
				5.875	6.009	6.142		6-5/8 OD, 17.0 to 22.0# Csg	6.187
				5.937	6.071	6.204		7 OD, 29.0 to 33.7# Csg	6.250
				6.015	6.149	6.282		7 OD, 26.0 to 29.0# Csg	6.328
F3024	9268	6.140	6.274	6.407	7 OD, 22.0 to 26.0# Csg	6.453	972,000		
		6.202	6.335	6.469	7 OD, 20.0 to 23.0# Csg	6.515			
		6.281	6.415	6.548	7 OD, 17.0 to 20.0# Csg	6.593			
		5.770	5.970	6.173	7 OD, 30.0 to 40.0# & 6-5/8 OD, 24.0# Csg	6.218			
		5.895	6.095	6.297	7 OD, 26.0 to 35.0# Csg	6.343			
		6.020	6.220	6.423	7 OD, 22.0 to 33.7# Csg	6.468			
		6.270	6.470	6.673	7 OD, 13.0 to 24.0# Csg	6.718			
		6.364	6.564	6.765	7-5/8 OD, 33.7 to 45.0# Csg	6.812			
		6.567	6.767	6.969	7-5/8 OD, 26.4 to 39.0# Csg	7.015			
		6.864	7.064	7.263	7-5/8 OD, 14.75 to 26.4# Csg	7.312			
		6.987	7.187	7.391	8-1/8 OD, 32.0 to 42.0# Csg	7.437			
		F3026	17329	7.225	7.425	7.628		8 OD, 16.0 to 26.0# Csg	7.673
				7.239	7.439	7.642		7-9/16 ID Csg	7.687
				7.489	7.689	7.892		8-5/8 OD, 34.0 to 48.0# Csg	7.937
7.755	7.955			8.157	8-5/8 OD, 24.0 to 38.0# Csg & 9 OD, 40.0 to 55.0# Csg	8.203			
7.911	8.111			8.313	8-5/8 OD, 17.6 to 29.35# Csg	8.359			
7.958	8.158			8.360	9 OD, 34.0 to 45.0# Csg	8.406			
F3029	9382	8.692	8.892	9.094	9-5/8 OD, 29.3 to 42.0# Csg	9.140	1,946,000		
		8.442	8.642	8.844	9-5/8 OD, 43.5 to 53.5# Csg	8.890			
		7.537	7.690	7.846	8-5/8 OD, 36.0 to 48.0# Csg	7.906			
		7.729	7.882	8.034	8-5/8 OD, 28.0 to 38.0# & 9 OD, 45.0 to 55.0# Csg	8.093			
		7.981	8.134	8.315	8-5/8 OD, 17.5 to 29.35# & 9 OD, 34.0 to 45# Csg	8.375			
		8.435	8.588	8.755	9 OD, 19.0# & 9-5/8 OD, 43.5 to 58.0# Csg	8.813			
		F3030	17245	8.535	8.688	8.846		9-5/8 OD, 40.0 to 53.5# Csg	8.906
				8.760	8.913	9.065		9-5/8 OD, 29.3 to 42.0# Csg	9.125
		F3032	9283	9.479	9.632	9.784		10-3/4 OD, 55.5 to 65.7# Csg	9.843
		F3034	17248	9.760	9.913	10.065		10-3/4 OD, 40.0 to 55.5# Csg	10.125
		205-000 **	9382	9.885	10.038	10.192		10-3/4 OD, 32.75 to 48.0# Csg	10.250
		205-001 **	17245	10.729	10.882	11.034		11-3/4 OD, 47.0 to 60.0# Csg	11.093
				10.854	11.007	11.159		11-3/4 OD, 38.0 to 54.0# Csg	11.218
				12.228	12.381	12.534		13-3/8 OD, 61.0 to 85.0# Csg	12.593
12.415	12.568			12.721	13-3/8 OD, 48.0 to 68.0# Csg	12.781			

* Grapples were marked with this description.

** Segmented grapples

The strengths shown are theoretical calculations based on yield strength of the material used in each case.

The strengths shown are therefore accurate, plus or minus 20% of the figures shown, only.

These figures do not constitute a guarantee, actual or implied. They are meant to serve only as a guide and appropriate safety factor allowance must be made in use.



Calculated Strengths

LOGAN ASSY. NO.	BOWEN NO.	ACTUAL CATCHING RANGE			OLD NOMINAL SIZE (INCHES) *	GRAPPLE O.D. - .000 / + .005	TENSILE STRENGTH OF BODY YIELD STRENGTH (lbs)
		MIN. I.D.	NOMINAL CATCH SIZE	MAX. I.D.			
		8.435	8.597	8.755	9-5/8 OD, 43.5 to 58.0# Csg	8.812	
		8.519	8.681	8.844	9-5/8 OD, 40.0 to 53.5# Csg	8.906	
		8.596	8.758	8.921	9-5/8 OD, 36.0 to 43.5# Csg	8.984	
		8.738	8.900	9.063	9-5/8 OD, 29.3 to 40.0# Csg	9.125	
		9.738	9.900	10.063	10-3/4 OD, 40.0 to 55.5# Csg	10.125	
		9.867	10.029	10.192	10-3/4 OD, 32.75 to 48.0# Csg	10.250	
		9.225	9.387	9.550	10-3/4 OD, 71.0 to 76.0# Csg	9.612	
		11.206	11.369	11.531	11-1/2 ID Csg	11.594	
		10.581	10.743	10.906	11-3/4 OD, 54.0 to 65.0# Csg	10.968	
		10.832	10.994	11.157	11-3/4 OD, 38.0 to 54.0# Csg	11.219	
		10.612	10.774	10.937	11-3/4 OD, 60.0# Csg	11.000	
F3032	9283	10.675	10.837	11.000	11-3/4 OD, 47.0 to 60.0# Csg	11.062	
F3034	17248	11.643	11.805	11.968	13-3/8 OD & 11.937 ID Csg	12.031	
205-002 **	9283	11.674	11.837	12.000	13-3/8 OD, 96.0# & 11.975 ID Csg	12.062	2,700,000
205-003 **	17248	12.022	12.184	12.347	13-3/8 OD, 72.0 to 92.0# Csg	12.406	
		12.393	12.555	12.718	13-3/8 OD, 48.0 to 68.0# Csg	12.781	
		12.455	12.617	12.780	12-3/4 OD & 12-3/4 ID Csg	12.834	
		13.143	13.305	13.468	14 OD, 42.0 to 57.0# Csg	13.531	
		13.312	13.474	13.637	13.599 ID to 13.609 ID Csg	13.700	
		13.330	13.492	13.655	13-5/8 ID Csg	13.718	
		15.112	15.274	15.437	16 OD, 55.0 to 75.0# Csg	15.500	
		14.925	15.087	15.250	16 OD, 65.0 to 84.0# Csg	15.312	
		17.331	17.493	17.656	17-1/2 ID Csg	17.718	
		18.862	19.024	19.187	20 OD, 90.0 to 106.5# Csg	19.250	
		17.487	17.650	17.812	18-5/8 OD, 87.0# Csg	...	

* Grapples were marked with this description.

** Segmented grapples

The strengths shown are theoretical calculations based on yield strength of the material used in each case.

The strengths shown are therefore accurate, plus or minus 20% of the figures shown, only.

These figures do not constitute a guarantee, actual or implied. They are meant to serve only as a guide and appropriate safety factor allowance must be made in use.



Releasing Spear Pack-off Assembly

CASING SIZE TO PACKOFF		1-1/2 Tbg	2-3/8 Tbg	2-3/8 Tbg 4.6#	2-7/8 Tbg	2-7/8 Tbg 6.5#	3-1/2 Tbg ...	3-1/2 Tbg 8.5-10.2#
OD ADAPTER SUB (INCHES)		1-3/8	1-7/8	1-7/8	1-13/16	1-13/16	2-1/2	2-1/2
PACKOFF ASSEMBLY	Logan Part No.	400-036	400-037	400-037	400-038	400-038	400-039	400-039
MANDREL	Logan Part No.	F6000	F6001	F6001	F6002	F6002	F6003	F6003
<i>OD of Mandrel Stem (Inches)</i>		...	1.063	1.063	1.327	1.327	1.250	1.250
ADAPTER SUB	Logan Part No.	F7000	F7001	F7001	F7002	F7002	F7003	F7003
PACKING CUP	Logan Part No.	F8000	F8001	F8001-001	F8002	F8002-001	F8003	F8003-001
	Reference No.	10716	...	10047	...	14960
THIMBLE	Logan Part No.	F9000	F9001	F9001-001	F9002	F9002-001	F9003	F9003-001
<i>ID of Packing Cup & Thimble (Inches)</i>		1.094	...	1.344	...	1.344
STABILIZER	Logan Part No.	F10000	F10001	F10001-001	F10002	F10002-001	F10003	F10003-001

CASING SIZE TO PACKOFF		3-1/2 Tbg 12.8-13.7#	4 Tbg	4 Tbg 9.5-11.6#	4-1/2 Tbg, 1/2 Csg & 3/4 Csg	4-1/2 Tbg 9.5-12.6# & 4-3/4 16#	4-1/2 Tbg 13.5-18.1#	5 Csg
OD ADAPTER SUB (INCHES)		2-1/2	3-1/4	3-1/4	3-1/2	3-1/2	3-1/2	4
PACKOFF ASSEMBLY	Logan Part No.	400-039	400-040	400-040	400-041	400-041	400-041	400-042
MANDREL	Logan Part No.	F6003	F6004	F6004	F6005	F6005	F6005	F6006
<i>OD of Mandrel Stem (Inches)</i>		1.250	1.906	1.906	2.375	2.375	2.375	2.375
ADAPTER SUB	Logan Part No.	F7003	F7004	F7004	F7005	F7005	F7005	F7006
PACKING CUP	Logan Part No.	F8003-001	F8004	F8004-001	F8005	F8005-001	F8005-002	F8006
	Reference No.	14082	...	14036	...	30509	10430	...
THIMBLE	Logan Part No.	F9003-001	F9004	F9004-001	F9005	F9005-001	F9005-002	F9006
<i>ID of Packing Cup & Thimble (Inches)</i>		1.344	...	1.94	...	2.41	2.41	...
STABILIZER	Logan Part No.	F10003	F10004	F10004-001	F10005	F10005-001	F10005-002	F10006

CASING SIZE TO PACKOFF		5 Csg 13-15#	5 Csg 18-21#	5-1/2 & 5-3/4 Csg	5-1/2 Csg 13-15# & 5-3/4 Csg 19.5-22.5#	5-1/2 Csg 15.5-17#	5-1/2 Csg 17-23#	5-3/4 Csg 14-18# & 6 Csg 20#
OD ADAPTER SUB (INCHES)		4	4	4	4	4	4	4
PACKOFF ASSEMBLY	Logan Part No.	400-042	400-042	400-043	400-043	400-043	400-043	400-043
MANDREL	Logan Part No.	F6006	F6006	F6007	F6007	F6007	F6007	F6007
<i>OD of Mandrel Stem (Inches)</i>		2.375	2.375	2.900	2.900	2.900	2.900	...
ADAPTER SUB	Logan Part No.	F7006	F7006	F7006	F7006	F7006	F7006	F7006
PACKING CUP	Logan Part No.	F8006-002	F8006-001	F8007	F8007-001	F8007-003	F8007-002	F8007-005
	Reference No.	25389	17831	...	22624	22626	19710	14714
THIMBLE	Logan Part No.	F9006-***	F9006-001	F9007	F9007-001	F9007-001	F9007-001	F9007-003
<i>ID of Packing Cup & Thimble (Inches)</i>		2.41	2.41	...	2.91	2.91	2.91	2.91
STABILIZER	Logan Part No.	F10006	F10006-001	F10007	F10007 *	F10007-002	F10007-002	F10007-002

Logan Oil Tools reserves the right to change or discontinue designs without notice.

* Sequence number to be determined

When ordering, please specify:

- (1) Name and part number of assembly or part
- (2) Size and type of top connection
- (3) Size and weight of pipe to be run in

Recommended Spare Parts:

- (1) 2 Packers for each size
- (2) 1 Thimble for each size



Releasing Spear Pack-off Assembly

CASING SIZE TO PACKOFF		6 Csg	6 Csg 14-18#	6-5/8, 7 & 7-5/8 Csg	6-5/8 Csg 20-22# & 7 Csg 32-35.3#	6-5/8 Csg 24-29# & 7 Csg 38#	6-5/8 32#	7 Csg 17-20#
OD ADAPTER SUB (INCHES)		4-3/4	4-3/4	4-3/4	4-3/4	4-3/4	4-3/4	4-3/4
PACKOFF ASSEMBLY	Logan Part No.	400-044	400-044	400-045	400-045	400-045	400-045	400-045
MANDREL	Logan Part No.	F6008	F6008	F6009	F6009	F6009	F6009	F6009
<i>OD of Mandrel Stem (Inches)</i>		3.500	3.500	3.500	3.500	3.500
ADAPTER SUB	Logan Part No.	F7007	F7007	F7007	F7007	F7007	F7007	F7007
PACKING CUP	Logan Part No.	F8008	F8008-002	F8009	F8009-002	F8009-003	F8009-017	F8009-009
	Reference No.	...	14721	...	19389	19277	19278	17819
THIMBLE	Logan Part No.	F9008	F9008-001	F9009	F9009-001	F9009-001	F9009-001	F9009-004
<i>ID of Packing Cup & Thimble (Inches)</i>		...	2.91	...	3.53	3.53	3.53	3.53
STABILIZER	Logan Part No.	F10008	F10007-003	F10009	F10009-002	F10009-002	F10009-002	F10009-002

CASING SIZE TO PACKOFF		7 Csg 22-24#	7 Csg 26-30#	7-5/8 Csg 26.4-29.7#	7-5/8 Csg 29.7-33.7#	7-5/8 Csg 39-42.8#	8-1/8 Csg 35.5# WP	8-1/8 Csg 39.5# WP
OD ADAPTER SUB (INCHES)		4-3/4	4-3/4	4-3/4	4-3/4	4-3/4	4-3/4	4-3/4
PACKOFF ASSEMBLY	Logan Part No.	400-045	400-045	400-045	400-045	400-045	400-045	400-045
MANDREL	Logan Part No.	F6009	F6009	F6009	F6009	F6009	F6009	F6009
<i>OD of Mandrel Stem (Inches)</i>		3.500	3.500	3.500	3.500	3.500	3.500	3.500
ADAPTER SUB	Logan Part No.	F7007	F7007	F7007	F7007	F7007	F7007	F7007
PACKING CUP	Logan Part No.	F8009-008	F8009-001	F8009-004	F8009-005	F8009-006	F8009-011	F8009-018
	Reference No.	17461	17356	13931	21293	23051	...	E107581 WR35318
THIMBLE	Logan Part No.	F9009-004	F9009-002	F9009-003	F9009-003	F9009-003	F9009-006	F9009-006
<i>ID of Packing Cup & Thimble (Inches)</i>		3.53	3.53	3.53	3.53	3.53	3.53	3.53
STABILIZER	Logan Part No.	F10009-002	F10009	F10009-003	F10009-003	F10009-003	F10009-004	F10009 *

CASING SIZE TO PACKOFF		8-5/8 Csg 20-24#	8, 8-5/8 & 9 Csg	8-5/8 Csg 28-36#	8-5/8 Csg 36-40#	8-5/8 Csg 40-49#	9-5/8 Csg	9-5/8 Csg 36-43.5# & 10-3/4 Csg 99.5#
OD ADAPTER SUB (INCHES)		4-3/4	6-1/8	6-1/8	6-1/8	6-1/8	6-3/8	6-3/8
PACKOFF ASSEMBLY	Logan Part No.	400-045	400-046	400-046	400-046	400-046	400-047	400-047
MANDREL	Logan Part No.	F6009	F6011	F6011	F6011	F6011	F6011	F6011
<i>OD of Mandrel Stem (Inches)</i>		3.500	4.500	4.500	4.500	4.500	4.500	4.500
ADAPTER SUB	Logan Part No.	F7007	F7009	F7009	F7009	F7009	F7009	F7009
PACKING CUP	Logan Part No.	F8009-010	F8010	F8009-014-001	F8009-019	F8009-013	F8011	F8011-001
	Reference No.	16111	16113	16115	...	10354
THIMBLE	Logan Part No.	F9009-006	F9010	F9010	F9010	F9009-007	F9011	F9011-001
<i>ID of Packing Cup & Thimble (Inches)</i>		3.53	4.53	4.53	4.53	4.53	4.53	4.53
STABILIZER	Logan Part No.	F10009 *	F10011	F10011	F10011	F10011	F10011	F10011-001

Logan Oil Tools reserves the right to change or discontinue designs without notice.

* Sequence number to be determined

When ordering, please specify:

- (1) Name and part number of assembly or part
- (2) Size and type of top connection
- (3) Size and weight of pipe to be run in

Recommended Spare Parts:

- (1) 2 Packers for each size
- (2) 1 Thimble for each size



Releasing Spear Pack-off Assembly

CASING SIZE TO PACKOFF	9-5/8 Csg 47-59.4# & 9-7/8 Csg 62.8#	10-3/4 Csg	10-3/4 Csg 32.75-55.5#	10-3/4 Csg 55.5-65.7#	11-3/4 Csg	11-3/4 Csg 38-60#	11-3/4 Csg 65#	
OD ADAPTER SUB (INCHES)	6-3/8	8	8	8	8	8	8	
PACKOFF ASSEMBLY	Logan Part No.	400-047	400-048	400-048	400-048	400-055	400-055	400-055
MANDREL	Logan Part No.	F6011	F6013	F6013	F6013	F6013	F6013	F6013
<i>OD of Mandrel Stem (Inches)</i>		4.500	4.500	4.500	4.500	4.500	4.500	4.500
ADAPTER SUB	Logan Part No.	F7009	F7009	F7009	F7009	F7009	F7009	F7009
PACKING CUP	Logan Part No.	F8011-002	F8012	F8012-001	F8012-002	F80125	F80125-001	F80125-002
	Reference No.	33850	...	13197	13198	...	14246	E111751 WR45318
THIMBLE	Logan Part No.	F9011-002	F9012	F9012-001	F9012-002	F90125	F90125-001	F90125-001
<i>ID of Packing Cup & Thimble (Inches)</i>		4.53	4.53	4.53	4.53	4.53	4.53	4.53
STABILIZER	Logan Part No.	F10011-001	F10012	F10012-001	F10012-003	F100125	F100125-001	F100125 *

CASING SIZE TO PACKOFF	11-3/4 Csg 71#	11-7/8 Csg 71.8#	13-3/8 & 13-5/8 Csg	13-3/8 Csg 48-72# & 13-5/8 88.2#	13-3/8 Csg 72-85#	14 Csg 101#	16 Csg	
OD ADAPTER SUB (INCHES)	8	8	8	8	8	8	8	
PACKOFF ASSEMBLY	Logan Part No.	400-055	400-055	400-049	400-049	400-049	400-049	400-066
MANDREL	Logan Part No.	F6013	F6013	F6013	F6013	F6013	F6013	F6013
<i>OD of Mandrel Stem (Inches)</i>		4.500	4.500	4.500	4.500	4.500	4.500	4.500
ADAPTER SUB	Logan Part No.	F7009	F7009	F7009	F7009	F7009	F7009	F7009
PACKING CUP	Logan Part No.	F80125-004	F80125-003	F8013	F8013-001	F8013-002	F8013-003	F8014
	Reference No.	E111751 WR45318	E111783 ECP45318	...	16298	*	*	E116065 45318
THIMBLE	Logan Part No.	F90125-001	F90125-001	F9013	F9013-001	F9013-001	F9013-001	Not Req'd
<i>ID of Packing Cup & Thimble (Inches)</i>		4.53	4.53	4.53	4.53	4.53	4.53	...
STABILIZER	Logan Part No.	F100125 *	F100125 *	F10013	F10013-001	F10013 *	F10013 *	F10014

Logan Oil Tools reserves the right to change or discontinue designs without notice.

* Sequence number to be determined

When ordering, please specify:

- (1) Name and part number of assembly or part
- (2) Size and type of top connection
- (3) Size and weight of pipe to be run in

Recommended Spare Parts:

- (1) 2 Packers for each size
- (2) 1 Thimble for each size



Releasing Spear Pack-off Assembly

CASING SIZE TO PACKOFF		16 Csg 65#	16 Csg 84#	16 Csg 97#	16 Csg 109#	18-5/8 Csg	18-5/8 Csg 87.5#	20 Csg
OD ADAPTER SUB (INCHES)		8	8	8	8	8	8	8
PACKOFF ASSEMBLY	Logan Part No.	400-066	400-066	400-066	400-066	400-067	400-067	400-068
MANDREL	Logan Part No.	F6013	F6013	F6013	F6013	F6013	F6013	F6013
<i>OD of Mandrel Stem (Inches)</i>		4.500	4.500	4.500	4.500	4.500	4.500	4.500
ADAPTER SUB	Logan Part No.	F7009	F7009	F7009	F7009	F7009	F7009	F7009
PACKING CUP	Logan Part No.	F8014-002	F8014-001	F8014-004	F8014-003	F8015	F8015-001	F8016
	Reference No.	E116065 45318	E116084 45318	*	*	*
THIMBLE	Logan Part No.	<i>Not Req'd</i>	<i>Not Req'd</i>	<i>Not Req'd</i>	<i>Not Req'd</i>	<i>Not Req'd</i>	<i>Not Req'd</i>	<i>Not Req'd</i>
<i>ID of Packing Cup & Thimble (Inches)</i>	
STABILIZER	Logan Part No.	F10014 *	F10014-001	F10014 *	F10014 *	F10015	F10015-001	F10016

CASING SIZE TO PACKOFF		20 Csg 94#	20 Csg 106#	20 Csg 133#	20 Csg 203.11#			
OD ADAPTER SUB (INCHES)		8	8	8	8			
PACKOFF ASSEMBLY	Logan Part No.	400-068	400-068	400-068	400-068			
MANDREL	Logan Part No.	F6013	F6013	F6013	F6013			
<i>OD of Mandrel Stem (Inches)</i>		4.500	4.500	4.500	4.500			
ADAPTER SUB	Logan Part No.	F7009	F7009	F7009	F7009			
PACKING CUP	Logan Part No.	F8016-002	F8016-001	F8016-003	F8016-004			
	Reference No.	*	*	*	*			
THIMBLE	Logan Part No.	<i>Not Req'd</i>	<i>Not Req'd</i>	<i>Not Req'd</i>	<i>Not Req'd</i>			
<i>ID of Packing Cup & Thimble (Inches)</i>				
STABILIZER	Logan Part No.	F10016-001	F10016-001	F10016-001	F10016 *			

Logan Oil Tools reserves the right to change or discontinue designs without notice.

* Sequence number to be determined

When ordering, please specify:

- (1) Name and part number of assembly or part
- (2) Size and type of top connection
- (3) Size and weight of pipe to be run in

Recommended Spare Parts:

- (1) 2 Packers for each size
- (2) 1 Thimble for each size



Releasing Spear Stop Sub Assembly

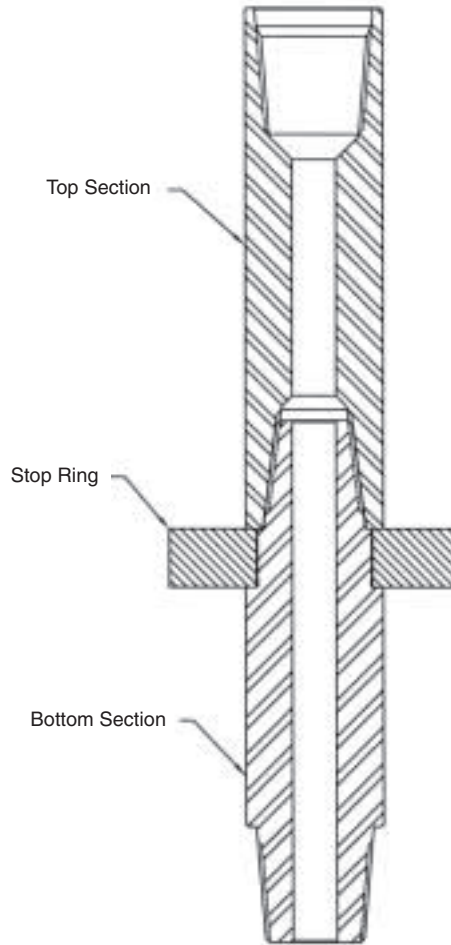
OVERVIEW

The Logan Releasing Spear Stop Sub Assembly is an accessory designed to convert a releasing spear with a flush-type mandrel into a shouldered type spear. It is installed in the box connection at the top of the mandrel when the use of a positive stop is desired or required.

A stop ring can be added to increase shoulder diameter. All stop rings are furnished with left-hand threads.

When ordering, please specify:

- (1) O.D. of Stop Sub
- (2) Length from stop to threaded connection
- (3) Top and bottom connection desired
- (4) Assembly number of spear on which the stop sub will be run
- (5) O.D. of Stop Ring



STANDARD STOP SUB & FLUSH MANDREL OD		3-1/8	3-1/4	3-5/8	4-1/32	5
STOP SUB ASSEMBLY	Logan Part No.	400-064	400-063	400-050	400-051	400-052
STOP SUB (2 PCS. REQ'D)						
UPPER SECTION 18" LENGTH	Logan Part No.	F110002-A	F110005-A	F11000-A	F11001-A	F11002-A
LOWER SECTION 12" LENGTH	Logan Part No.	F110002-B	F110005-B	F11000-B	F11001-B	F11002-B
STOP RING	Logan Part No.	F120002	F120005	F12000	F12001	F12002
	Minimum O.D.	4-1/8	4-1/8	4-1/2	5	6

STANDARD STOP SUB & FLUSH MANDREL O.D.		5-3/4	7-1/4	7-3/4	8-1/4	11-3/4
STOP SUB ASSEMBLY	Logan Part No.	400-053	400-054	400-062	400-065	400-056
STOP SUB (2 PCS. REQ'D)						
UPPER SECTION 18" LENGTH	Logan Part No.	F11003-A	F11004-A	F11005-A	F11015-A	F11006-A
LOWER SECTION 12" LENGTH	Logan Part No.	F11003-B	F11004-B	F11005-B	F11015-B	F11006-B
STOP RING	Logan Part No.	F12003	F12004	F12005	F12015	F12006
	Minimum O.D.	7	8-5/8	9-5/8	9-5/8	13-3/8

Logan Oil Tools reserves the right to change or discontinue designs without notice.

HEADQUARTERS

11006 Lucerne Street
Houston, TX 77016
Tel: (281) 219-6613
Fax: (281) 219-6638

sales@loganoiltools.com

UNITED STATES

Louisiana

103 Bluffwood Drive
Broussard, LA 70518
Tel: (337) 839-2331/2332
Fax: (337) 839-2334

118 Common Court
Houma, LA 70360
Tel: (985) 868-7333
Fax: (985) 868-7007

Oklahoma

424 South Eagle Lane
Oklahoma City, OK 73128
Tel: (405) 782-0625/0699/0754
Fax: (405) 782-0760

Mississippi

6 Donald Drive
Laurel, MS 39440
Tel: (601) 649-0636
Fax: (601) 649-6909

Texas

101 Commerce Street
Alice, TX 78332
Tel: (361) 396-0139/0147
Fax: (361) 396-0112

1305 Energy Drive
Kilgore, TX 75662
Tel: (903) 984-6700
Fax: (903) 984-6755

1617 South Viceroy
Odessa, TX 79763
Tel: (432) 580-7414
Fax: (432) 580-7656

Utah

1369 South 1100 East
Vernal, UT 84078
Tel: (435) 781-2856/2857
Fax: (435) 781-2858

STOCKING DISTRIBUTORS

Canada

Lee Oilfield Fishing Tools Ltd.
4604 Eleniak Road NW
Edmonton, AB T6B2S1
Canada
Tel: (780) 440-6705
Fax: (780) 463-5570

Dubai

Woodhouse International
P.O. Box 23724
Dubai, UAE
Tel: 971-4-347-2300
Fax: 971-4-347-4642

Scotland

Smith Services, HE Group
Howe Moss Avenue
Dyce, Aberdeen
Scotland AB21 OGP
Tel: 44-1224-770707
Fax: 44-1224-724182



www.loganoiltools.com

