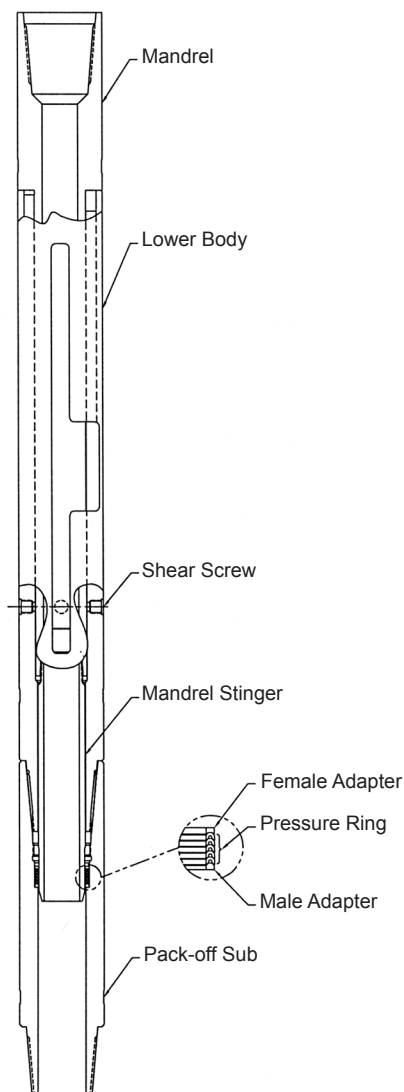




Type J Safety Joints



Overview

The Logan Type J Safety Joint provides a release option from tools such as taper taps or die collars that are normally non-releasable. It also provides a way to connect or disconnect fishing string and stuck fish.

Construction

Simple two-piece construction made of heat-treated alloy steel allows easy make-up and release. Special shear screws securely fasten the tool to prevent accidental unlatching before the fish is engaged.

Operation

The lugs on the top half of the Logan Type J Safety Joint are secured when they engage with the J-slots on the bottom half.

To Release the Safety Joint

Once the fish is engaged, a tension load is applied to the string to shear the shear screws. After the screws have been sheared and the tension released, slight left-hand torque is applied to the string while it is elevated. The lugs will shift into the release slots and the two halves of the safety joint will separate.

To Reengage the Safety Joint

Slowly rotate the string to the right. Lower the string until the lugs on the top half engage the J-slots in the lower half. Stop rotation. Maintain right-hand torque on the lowered string until the joint is fully engaged. The joint will remain engaged until it is released.

When ordering, please specify:

- (1) Complete assembly or part number
- (2) O.D. of assembly
- (3) Size and type of connection
- (4) O.D., if other than standard. For oversize, add 10% for each additional 1/4" or portion thereof to Pin Section and Box Section.

| STANDARD TOOL O.D. | | 4-1/8 | 4-3/4 | 6-1/4 | 7-3/4 | | | |
|--------------------------|----------------|-------------------|-------------------|-------------------|-------------------|--|--|--|
| COMPLETE ASSEMBLY | Logan Part No. | 610-413 | 610-475 | 610-625 | 610-775 | | | |
| MANDREL | Logan Part No. | Y7000 | Y7001 | Y7002 | Y7003 | | | |
| MANDREL STINGER | Logan Part No. | Y8000 | Y8001 | Y8002 | Y8003 | | | |
| LOWER BODY | Logan Part No. | Y9000 | Y9001 | Y9002 | Y9003 | | | |
| PACK-OFF SUB | Logan Part No. | Y10000 | Y10001 | Y10002 | Y10003 | | | |
| GLAND NUT | Logan Part No. | Y11000 | Y11001 | Y11002 | Y11002 | | | |
| FEMALE ADAPTER | Logan Part No. | SC3131-480 | SC2652-480 | SC3123-480 | SC3433-480 | | | |
| MALE ADAPTER | Logan Part No. | SC3132-280 | SC2652-280 | SC3123-280 | SC3433-280 | | | |
| CHEVRON PACKING | Logan Part No. | SC3132-160 | SC2652-160 | SC3123-160 | SC3433-160 | | | |
| SHEAR SCREW | Logan Part No. | Y12000 | Y12000 | Y12000 | Y12000 | | | |
| | No. Req'd. | 2 | 2 | 4 | 4 | | | |
| GLAND WRENCH | Logan Part No. | Y13000 | Y13001 | Y13002 | Y13002 | | | |

Logan Oil Tools reserves the right to change or discontinue designs without notice.